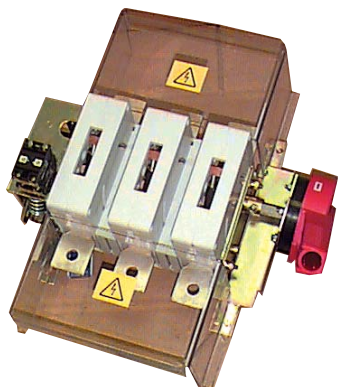




Non-fused Switches Side-handle IT 250 to 800A



**Switch-disconnectors
visible interruption
IT 250A to 800A
Side-operated switches**

- CONTROL: SIDE-HANDLE PADLOCKABLE IN OFF-POSITION WITH 3 PADLOCKS SAFE AND RELIABLE INDICATION OF POSITION BY HANDLES.
- INTERRUPTING: VISIBLE INTERRUPTION.AC 23 & DC 23 ON LOAD OPENING AND CLOSING.
- INSULATION VOLTAGE: 1000 V.
- MECANISM: SNAP CONTACTS which ensures rapid disconnection regardless of how fast the user turns the operation handle.
- FIXING: ON-BOARD OR ON-FRAME FOR CUBICLE BACKGROUND.
- CONSTRUCTION: COMPLYING WITH IEC 947 1&3 AND EN 60 947.- 1 AND - 3
- PROTECTION DEGREE (WITH ACCESSORIES): IP 2X.
- PROTECTION FOR ANY CLIMATE.
- SILVER-PLATED COPPER ELECTRIC CONTACTS.
- ISOLATING PARTITIONS MADE WITH UL 94 VO MATERIALS.
- 3 AND 4-POLE IN STANDARD.
- 6 & 8-POLE MOUNTING AS ACCESSORIES.

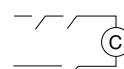
Main electrical characteristics

Code			IT 250A	IT 315A	IT 350A	IT 500A	IT 630A	IT 800A
Rated operational current at ambient	40°C	I _{th}	250	315	350	500	630	800
	40°C	I _{the}	200	270	315	500	630	720
Rated insulation voltage (Ui).	Pollution class 3	V	1000	1000	1000	1000	1000	1000
Rated operational voltage AC-20 DC-20		V	1000	1000	1000	1000	1000	1000
	Rated impulse without voltage	kV	12	12	12	12	12	12
RMS Prospective short-circuit current with aM or gG class FerrazSchawmut fuses fuse rating Permissible peak let-through current		kA	100	100	100	100	80	80
		A	200	250	315	400	630	800
		kA	40	40	40	45	55	—
Rated operating current AC-21-A / AC-22-A	690 V	A	200	250	315	500	630	800
Rated operating current AC-23-A	≤ 415 V	A	200	250	315	500	630	720
	500 V	A	200	250	315	500	580	600
	690 V	A	200	250	315	350	350	350
Rated operating power AC-23 (kW) with a 3-phase 1.500 rpm standard asynchronous motor at	415 V	kW	90	132	160	200	315	355
	500 V	kW	132	160	200	315	355	400
	690 V	kW	170	200	250	315	355	355
AC-23 Interrupting rating : I _c A at cos φ = 0.35 under rated operating voltage (U _e)	≤ 500 V	A	1600	2000	2520	4000	4640	4800
	690 V	A	1600	2000	2520	2800	2800	2800
DC-23-A rating operating current / poles in series** for	110 V	A	200/2	250/2	315/2	400/2	630/2	800/2
	220 V	A	200/2	250/2	315/2	400/2	630/2	630/2
	440 V	A	200/3	250/3	315/3	400/3	400/3	400/3
RMS permissible short duration (1s) rated current		kA	8	8	8	16	17	17
Mechanical endurance : operation cycles number (1 cycle = 1 opening + 1 closing of contacts)			8 000	8 000	8 000	5 000	5 000	5 000
Electrical endurance : operation cycles number at I _e and cos φ 0.65	500 V		1000	1000	1000	1000	1000	500
Power loss per pole		W	3,5	5,5	8,5	13	22	40
Tightening torque for terminals	mini	N.m	15	30	30	30	50	50
	maxi	N.m	22	44	44	44	75	75

** To be connected in series by user
Distributing poles per conductor e.g. 2 poles in series



E.g. 3 poles in series, advised mounting for 3-pole switches





Non-fused Switches Side-handle IT 250 to 800A

Standard switches

The following items are supplied separately.
For additional adaptations refer to the Accessories section and order selected reference numbers.

Current rating I _{th}	Pole	Designation	Reference Number	Catalog Number
250 A	3	IT 250 KM III	M 210070	IT250S3CL
	4	IT 250 KM IV	N 210071	IT250S4CL
315 A	3	IT 315 KM III	P 210072	IT315S3CL
	4	IT 315 KM IV	Q 210073	IT315S4CL
350 A	3	IT 350 KM III	R 210074	IT350S3CL
	4	IT 350 KM IV	S 210075	IT350S4CL
500 A	3	IT 500 KM III	T 210076	IT500S3CL
	4	T 500 KM IV	V 210077	IT500S4CL
630 A	3	IT 630 KM III	W 210078	IT630S3CL
	4	IT 630 KM IV	X 210079	IT630S4CL
800 A	3	IT 800 KM III	Y 210080	IT800S3CL
	4	IT 800 KM IV	Z 210081	IT800S4CL

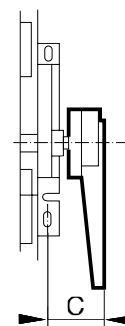
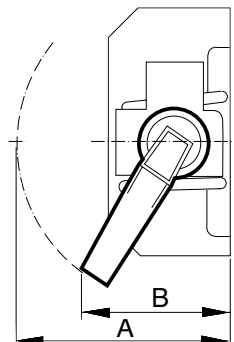
Microswitch characteristics

Reference Number	Minimum for safe operation	Maximum for operation in AC 12	Application	Catalog Number
Y202168 S086588 Z202169 L097300	24 V 25 mA AC / DC	690 V 2 A cos φ = 0,9	Single-standard microswitch Twin-standard microswitch	FOIT250NO/NC FOIT500NO/NC FOIT2502NO/NC FOIT5002NO/NC
H208019 J208020	24 V 10 mA AC / DC	690 V 2 A cos φ = 0,9	Single microswitch. Aggressive atmosphere or connection with a programmable machine	FOIT250/350AU FOIT5002NONCBN

Control handles dimensions

Insulating, padlockable inside or outside

Reference Number	Switch Model	A	B	C	D	E	Weight (kg)	Catalog number
T090936	IT 500KM	203	178	100	30	90	1,2	PILRIT500ITC250
	IT 630KM							
	IT 800KM							





Non-fused Switches Side-handle IT 250 to 800A

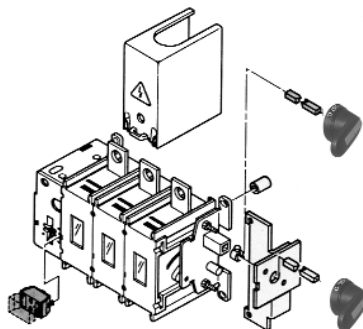
Accessories

Reference Number

Current rating	Pre-isolating microswitch Single microswitch ③ 1 NO - 1 NC Twin microswitch ⑤ 1 NO - 1 NC Low level micro. ⑥ 1 NO - 1 NC	Protection against live terminal touching *One shroud per terminals (figure 1) ▪One partition upstream and one downstream (figure 2)	Inside padlockable (red handle) (3 padlocks)	Outside padlockable (3 padlocks) ① black handle ② red and yellow handle ③ red handle
250 A 315 A 350 A	③ Y 202 168 ⑤ Z 202 169 ⑥ H 208 019	* A 202 170	Not available see front handle Switches	① H 210066 ② J 210067
500 A III IV	③ S 086 588 ⑤ L 097 300 ⑥ J 208 020	▪ Q 096 499 ▪ Z 096 507	T 090936	③ Y 090940
630 A III IV		▪ F 080 137 ▪ E 080 136		
800 A III IV		▪ G 080 138 ▪ D 080 135		

Catalog Number

Current rating	Pre-isolating microswitch Single microswitch ③ 1 NO - 1 NC Twin microswitch ⑤ 1 NO - 1 NC Low level micro. ⑥ 1 NO - 1 NC	Protection against live terminal touching *One shroud per terminals (figure 1) ▪One partition upstream and one downstream (figure 2)	Inside padlockable (red handle) (3 padlocks)	Outside padlockable (3 padlocks) ① black handle ② red and yellow handle ③ red handle
250 A 315 A 350 A	③ FOIT250NO/NC ⑤ FOIT2502NO/NC ⑥ FOIT250/350AU	* CBIT250/350	Not available see front handle Switches	① PELNIT250/350 ② PELRJIT250/350
500 A III IV	③ FOIT500NO/NC ⑤ FOIT5002NO/NC ⑥ FOIT5002NONCBN	▪ CBIT5003 ▪ CBIT5004	PILRIT500ITC250	③ PELRIT500ITC250
630 A III IV		▪ CBIT6303 ▪ CBIT6304		
800 A III IV		▪ CBIT8003 ▪ CBIT8004		





Non-fused Switches Side-handle IT 250 to 800A

Ready to install complete switch

Switch with direct handle + external handle + auxiliary contact (2 NO + 2 NC)
+ protection against Live Terminal Touching

Current rating Ith	Poles	Designation	Reference Number	Catalog Number
250A	3	IT 250 CIII Cde Later N&R	K 235253	IT250C3CLN
	4	IT 250 CIV Cde Later N&R	L 235254	IT250C4CLN
	3	IT 250 CIII Cde Later J&R	M 235255	IT250C3CLJ
	4	IT 250 CIV Cde Later J&R	N 235256	IT250C4CLJ
315A	3	IT 315 CIII Cde Later N&R	T 235261	IT315C3CLN
	4	IT 315 CIV Cde Later N&R	V 235262	IT315C4CLN
	3	IT 315 CIII Cde Later J&R	W 235263	IT315C3CLJ
	4	IT 315 CIV Cde Later J&R	X 235264	IT315C4CLJ
350A	3	IT 350 CIII Cde Later N&R	C 235269	IT350C3CLN
	4	IT 350 CIV Cde Later N&R	D 235270	IT350C4CLN
	3	IT 350 CIII Cde Later J&R	E 235271	IT350C3CLJ
	4	IT 350 CIV Cde Later J&R	F 235272	IT350C4CLJ
500A	3	IT 500 CIII Cde Later N&R	L 235277	IT500C3CLN
	4	IT 500 CIV Cde Later N&R	M 235278	IT500C4CLN
630A	3	IT 630 CIII Cde Later N&R	S 235283	IT630C3CLN
	4	IT 630 CIV Cde Later N&R	T 235284	IT630C4CLN
800A	3	IT 800 CIII Cde Later N&R	Z 235289	IT800C3CLN
	4	IT 800 CIV Cde Later N&R	A 235290	IT800C4CLN

External handle : N&R = black / J&R = red and yellow

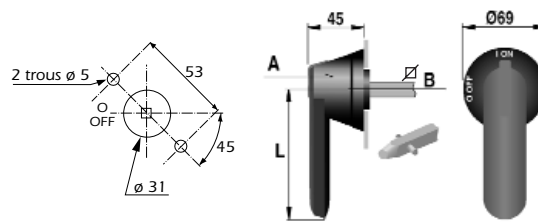


Non-fused Switches Side-handle IT 250 to 800A

Control handles dimensions

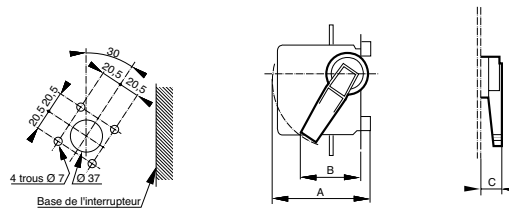
Handle Ref. Number	Switch Model	∅ B	L	IP	Weight (kg)
H 210066 or J 210067	IT 250KM IT 315KM IT 350KM	8	80	65	0,3 kg

Distance between switch-disconnector and handle: 25 to 96 mm



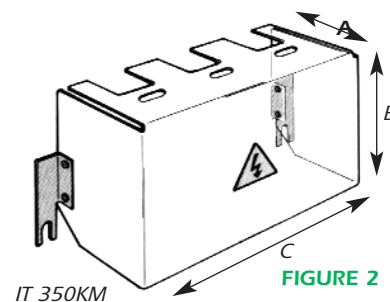
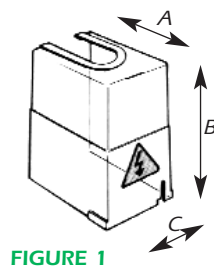
Handle Ref. Number	Switch Model	A	B	C	D	Weight (kg)
Y 090940	IT 500KM	203	178	55	30	0,75

Distance between switch-disconnector and handle: 45 to 120 mm



Protection against live terminal touching: dimensions

Reference Number	Switch Model	A	B	C	Weight (kg)	Figure
A202170	IT 250KM	92,5	105	44	70 g	1
	IT 315KM					
	IT 350KM					
Q 096499	IT 500KM III	125	120	175	250 g	2
Z 096507	IT 500KM IV	125	120	221	300 g	2
F 080137	IT 630KM III	125	120	207	260 g	2
E 080136	IT 630KM IV	125	120	269	310 g	2
G 080138	IT 800KM III	125	120	223	270 g	2
D 080135	IT 800KM IV	125	120	293	320 g	2



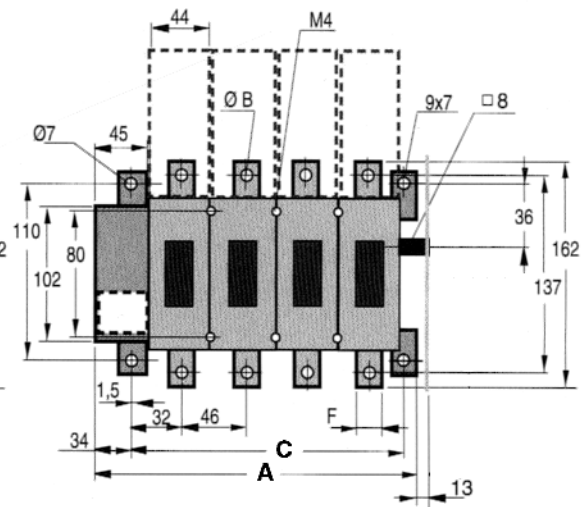
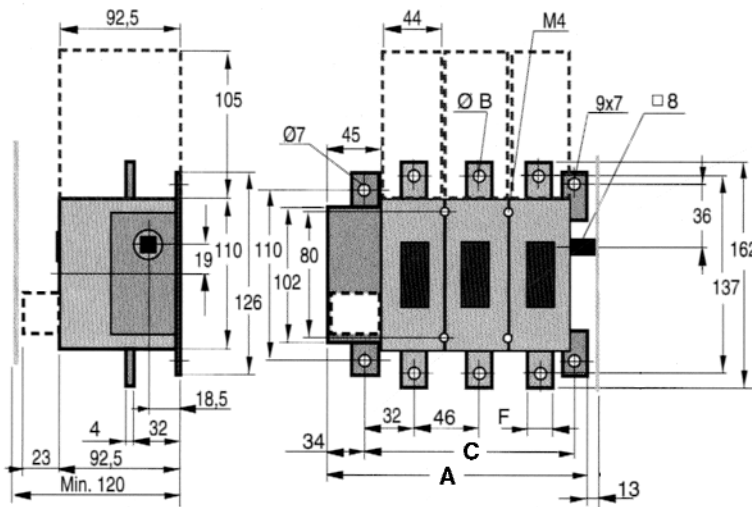


Non-fused Switches Side-handle IT 250 to 800A

IT 250 to 350 Dimensions and weight

- Connection: range 25 mm and 20 mm
with bolt M10 tightening torque 30 to 40 Nm.
Tightening torque for switches: M6 screw 6 N.m to 10 N.m

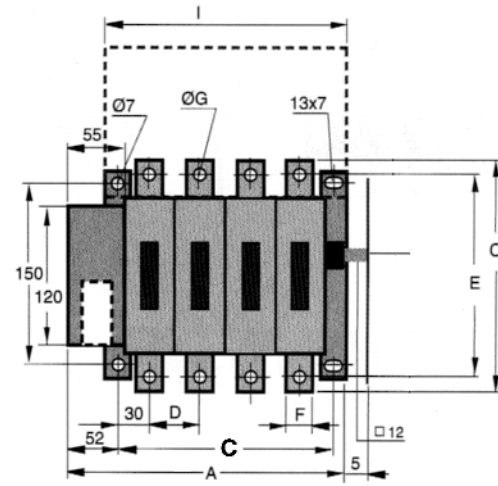
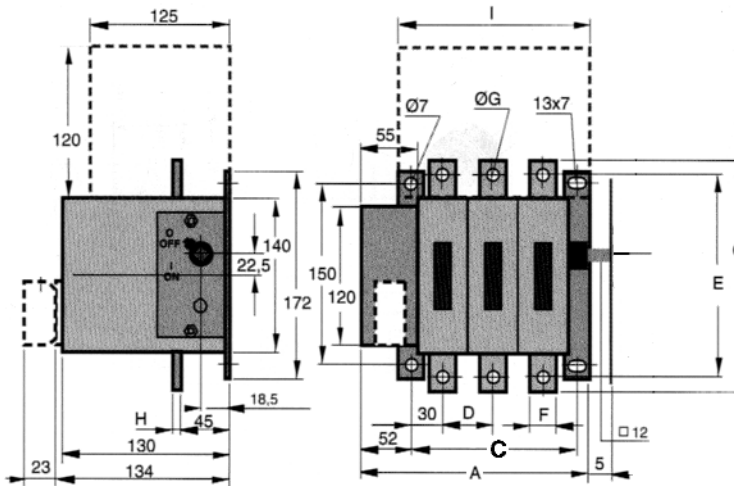
Pole	IT 250 KM		IT 315 KM		IT 350 KM	
	III	IV	III	IV	III	IV
A (mm)	199	245	199	245	199	245
Ø B (mm)	9	9	11	11	11	11
C (mm)	157	203	157	203	157	203
F (mm)	20	20	25	25	25	25
Weight (kg)	3	3,7	3	3,7	3	3,7



IT 500 to 800 Dimensions and weight

- Connection: range 25 mm
with M10 bolt and tightening torque 30 to 40 Nm.
- Connection: range 40 mm
with M12 bolt and tightening torque 50 to 75 Nm.
Tightening torque for switches: M6 screw 6.N.m to 10 N.m

Pole	IT 500 KM		IT 630 KM		IT 800 KM	
	III	IV	III	IV	III	IV
A (mm)	216	262	248	310	264	334
B (mm)	153	199	185	247	201	271
C (mm)	205	205	223	223	223	223
D (mm)	46	46	62	62	70	70
E (mm)	180	180	185	185	185	185
F (mm)	25	25	40	40	40	40
Ø G (mm)	11	11	13,5	13,5	13,5	13,5
H (mm)	4	4	5	5	5	5
I (mm)	175	221	207	269	223	293
Weight (kg)	5,2	6,4	6,2	7,6	6,2	7,6



NOTE: Weights without accessories; tightening torques of switches depend on quality of bolts.