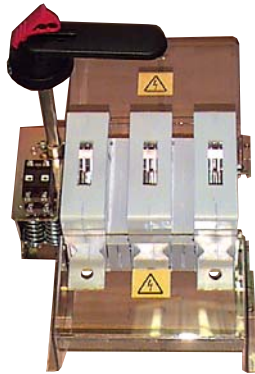
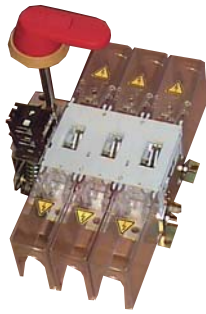




## Non-fused Switches Front-handle IT 250 to 800A



**CONTROL:** FRONT HANDLE PADLOCKABLE IN OFF-POSITION WITH 3 PADLOCKS. SAFE AND RELIABLE INDICATION OF POSITION BY HANDLES.

**INTERRUPTING:** VISIBLE INTERRUPTION. AC 23 & DC 23 ON LOAD OPENING AND CLOSING.

**INSULATION VOLTAGE:** 1000 V.

**MECANISM:** SNAP CONTACTS which ensures rapid disconnection regardless of how fast the user turns the operation handle.

**FIXING:** ON-BOARD OR ON-FRAME FOR CUBICLE BACKGROUND.

**CONSTRUCTION:** COMPLYING WITH IEC AND EN60 947 1&3

**PROTECTION DEGREE (WITH ACCESSORIES):** IP 2X.

**PROTECTION FOR ANY CLIMATE.**

**SILVER-PLATED COPPER ELECTRIC CONTACTS.**

**ISOLATING PARTITIONS MADE WITH UL 94 VO MATERIALS.**

**3 AND 4-POLE IN STANDARD MODELS.**

**6 & 8-POLE MOUNTING AS ACCESSORIES.**

**PRE-ISOLATING AND TERMINAL SHROUDS AS ACCESSORIES.**

### Main electrical characteristics

			IT 250K	IT 315K	IT 350K	IT 500K	IT 630K	IT 800K
Rated operating current at ambient	40°C	I <sub>th</sub>	250	315	350	500	630	800
Rated operating current under cover	40°C	I <sub>the</sub>	200	270	315	500	630	720
Rated insulation voltage (U <sub>i</sub> )	Pollution class 3	V	1000	1000	1000	1000	1000	1000
Rated operating voltage AC-20 DC-20		V	1000	1000	1000	1000	1000	1000
Rated impulse withstand voltage		kV	12	12	12	12	12	12
RMS prospective short-circuit current with aM or gG class FerrazShawmut fuses.		kA	100	100	100	100	80	80
Fuse Rating Permissible peak let-through current		A	200	250	315	400	630	800
		kA	40	40	40	45	55	—
Rated operating current AC-21-A and AC-22-A	690 V	A	200	250	315	500	630	800
Rated operating current AC-23-A	≤ 415 V	A	200	250	315	500	630	720
	500 V		200	250	315	500	580	600
	690 V		200	250	315	350	350	350
Rated operating power AC-23 in kW with a 3-phase 1.500 rpm standard asynchronous motor at	415 V	kW	90	132	160	200	315	355
	500 V		132	160	200	315	355	400
	690 V		170	200	250	315	355	355
AC-23 interrupting rating: I <sub>c</sub> at cos φ = 0.35) under rated operating voltage (U <sub>e</sub> )	≤ 500 V	A	1600	2000	2520	4000	4640	4800
	690 V		1600	2000	2520	2800	2800	2800
DC-23-A rating operating current / poles in series** for	110 V	A	200/2	250/2	315/2	400/2	630/2	800/2
	220 V		200/2	250/2	315/2	400/2	630/2	630/2
	440 V		200/3	250/3	315/3	400/3	400/3	400/3
RMS permissible short duration (1s) rated current		kA	8	8	8	16	17	17
Mechanical endurance: operating cycle number (1 cycle = 1 opening + 1 closing of contacts)			8 000	8 000	8 000	5 000	5 000	5 000
Electrical endurance: operating cycle number at I <sub>e</sub> and cos φ 0.65	500 V		1000	1000	1000	1000	1000	500
Power loss per pole		W	3,5	5,5	8,5	13	22	40
Tightening torque for terminals	mini	N.m	15	30	30	30	50	50
	maxi		22	44	44	44	75	75

\*\* To be connected in series by user.  
Distributing poles per conductor e.g. 2 poles in series.



E.g. 3 poles in series, recommended mounting for 3-pole switches.



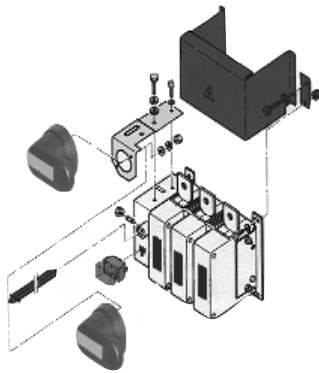


## Non-fused Switches Front-handle IT 250 to 800A

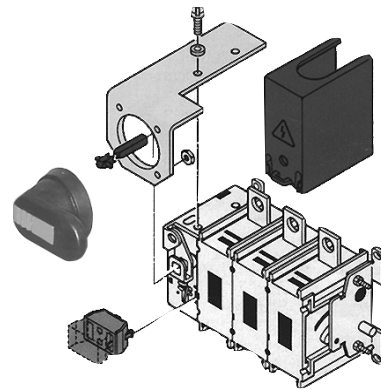
### Switch-disconnectors visible interruption and accessories

#### Standard switches

Current rating I <sub>th</sub>	Pole	Designation	Reference Number	Catalog Number
250 A	3	IT 250 K III	L 202 134	IT250S3CF
	4	IT 250 K IV	D 202 127	IT250S4CF
315 A	3	IT 315 K III	R 202 139	IT315S3CF
	4	IT 315 K IV	P 202 137	IT315S4CF
350 A	3	IT 350 K III	F 202 152	IT350S3CF
	4	IT 350 K IV	E 202 151	IT350S4CF
500 A	3	IT 500 III	M 096 450	IT500S3CF
	4	IT 500 IV	P 096 498	IT500S4CF
630 A	3	IT 630 K III	M 096 151	IT630S3CF
	4	IT 630 K IV	N 096 152	IT630S4CF
800 A	3	IT 800 K III	P 096 153	IT800S3CF
	4	IT 800 K IV	Q 096 154	IT800S4CF



IT 630



IT 250

All of the following items are supplied separately.  
For additional adaptations see "Accessories" section and order selected reference numbers.

#### Microswitch characteristics

Microswitch Reference Number	Minimum for safe operation	Maximum for operation in AC 12	Application
① Y 202 168 ① S 086 588 ② Z 202 169 ② L 097 300	24 V 25 mA AC / DC	690 V 2 A $\cos \varphi = 0,9$	① Single-standard microswitch ② Twin-standard microswitch
③ H 208 019	24 V 10 mA	690 V 2 A	③ Single microswitch: Aggressive environment or connection with a programmable machine
③ J 208 020	AC / DC	$\cos \varphi = 0,9$	



## Non-fused Switches Front-handle IT 250 to 800A

### Accessories

### Reference Number

Current rating Ith	Pre-isolating microswitch Single microswitch ① 1 NO - 1 NC Twin microswitch ② 1 NO - 1 NC Low level micro. ③ 1 NO - 1 NC	Protection against live terminal touching ● One shroud per terminals ⊗ One partition upstream and one downstream	Inside ↖ or outside ▼ black handle padlockable with 3 padlocks (8 mm dia.) ▼ (Door locked when handle is ON)	Inside ↖ or outside ▼ red and yellow handle padlockable with 3 padlocks (Ø 8 mm) ▼ (Door locked when handle is ON)	↖ Adaptation part for inside control handle (accessory)	Long shaft without handle for outside control
250 A	① Y 202 168 ② Z 202 169 ③ H 208 019	● A 202 170	S 209914 Supplied with a 140 mm shaft	T 209915 Supplied with a 140 mm shaft	X 202 167	W 202 166 240 mm shaft
315 A			↖ (for inside handle order control adaptation)	↖ (for inside handle order control adaptation)		D 210 108 500 mm shaft
350 A						
500 A III VI	① S 086 588 ② L 097 300 ③ J 208 020	⊗ Q 096 499 ⊗ Z 096 507	Q 209912 Supplied with a 250 mm shaft	R 209913 Supplied with a 250 mm shaft	C 092 600	L 097 093 395 mm shaft
630 A III VI		⊗ F 080 137 ⊗ E 080 136	↖ (for inside handle order control adaptation)	↖ (for inside handle order control adaptation)		P 092 979 465 mm shaft
800 A III VI		⊗ G 080 138 ⊗ D 080 135				

### Catalog Number

Current rating Ith	Pre-isolating microswitch Single microswitch ① 1 NO - 1 NC Twin microswitch ② 1 NO - 1 NC Low level micro. ③ 1 NO - 1 NC	Protection against live terminal touching ● One shroud per terminals ⊗ One partition upstream and one downstream	Inside ↖ or outside ▼ black handle padlockable with 3 padlocks (8 mm dia.) ▼ (Door locked when handle is ON)	Inside ↖ or outside ▼ red and yellow handle padlockable with 3 padlocks (Ø 8 mm) ▼ (Door locked when handle is ON)	↖ Adaptation part for inside control handle (accessory)	Long shaft without handle for outside control
250 A	① FOIT250NO/NC ② FOIT2502NO/NC ③ FOIT250/350AU	● CBIT250/350	PERNIT250/350 Supplied with a 140 mm shaft	PERJIT250/350 Supplied with a 140 mm shaft	APIIT250/350	A240IT250/350 240 mm shaft
315 A			↖ (for inside handle order control adaptation)	↖ (for inside handle order control adaptation)		A500IT250/350 500 mm shaft
350 A						
500 A III VI	① FOIT500NO/NC ② FOIT5002NO/NC ③ FOIT5002NONCBN	⊗ CBIT5003 ⊗ CBIT5004	PERNIT500/1600 Supplied with a 250 mm shaft	PERJIT500/1600 Supplied with a 250 mm shaft	APIIT500/800	A395IT500ITC250 395 mm shaft
630 A III VI		⊗ CBIT6303 ⊗ CBIT6304	↖ (for inside handle order control adaptation)	↖ (for inside handle order control adaptation)		A465IT500/ITC250 465 mm shaft
800 A III VI		⊗ CBIT8003 ⊗ CBIT8004				



## Non-fused Switches Front-handle IT 250 to 800A

### Ready to install complete switch

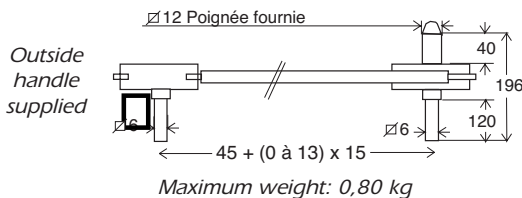
Switch with direct handle + external handle + auxiliary contact  
(2 NO + 2 NC) + protection against live terminal touching

Current rating Ith	Poles	Designation	Reference Number	Catalog Number
250A	3	IT 250 CIII Cde Front N&R	F 235249	IT250C3CFN
	4	IT 250 CIV Cde Front N&R	G 235250	IT250C4CFN
	3	IT 250 CIII Cde Front J&R	H 235251	IT250C3CFJ
	4	IT 250 CIV Cde Front J&R	J 235252	IT250C4CFJ
315A	3	IT 315 CIII Cde Front N&R	P 235257	IT315C3CFN
	4	IT 315 CIV Cde Front N&R	Q 235258	IT315C4CFN
	3	IT 315 CIII Cde Front J&R	R 235259	IT315C3CFJ
	4	IT 315 CIV Cde Front J&R	S 235260	IT315C4CFJ
350A	3	IT 350 CIII Cde Front N&R	Y 235265	IT350C3CFN
	4	IT 350 CIV Cde Front N&R	Z 235266	IT350C4CFN
	3	IT 350 CIII Cde Front J&R	A 235267	IT350C3CFJ
	4	IT 350 CIV Cde Front J&R	B 235268	IT350C4CFJ
500A	3	IT 500 CIII Cde Front N&R	G 235273	IT500C3CFN
	4	IT 500 CIV Cde Front N&R	H 235274	IT500C4CFN
	3	IT 500 CIII Cde Front J&R	J 235275	IT500C3CFJ
	4	IT 500 CIV Cde Front J&R	K 235276	IT500C4CFJ
630A	3	IT 630 CIII Cde Front N&R	N 235279	IT630C3CFN
	4	IT 630 CIV Cde Front N&R	P 235280	IT630C4CFN
	3	IT 630 CIII Cde Front J&R	Q 235281	IT630C3CFJ
	4	IT 630 CIV Cde Front J&R	R 235282	IT630C4CFJ
800A	3	IT 800 CIII Cde Front N&R	V 235285	IT800C3CFN
	4	IT 800 CIV Cde Front N&R	W 235286	IT800C4CFN
	3	IT 800 CIII Cde Front J&R	X 235287	IT800C3CFJ
	4	IT 800 CIV Cde Front J&R	Y 235288	IT800C4CFJ

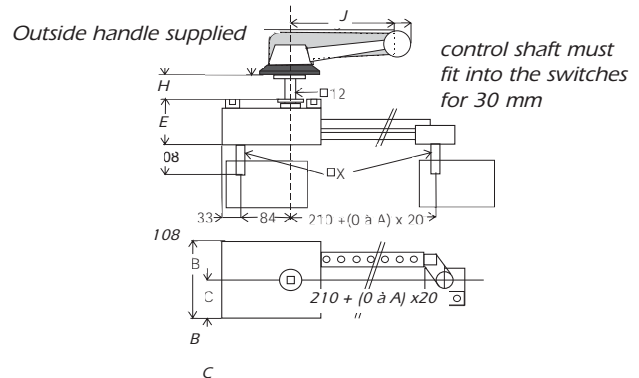
External handle : N&R = black / J&R = red and yellow

### Accessories for outside control

**VI and VIII-pole system:** for IT 250 K to 350 K  
Ref N°: B202171 - Cat. N°: ADAIT250/350

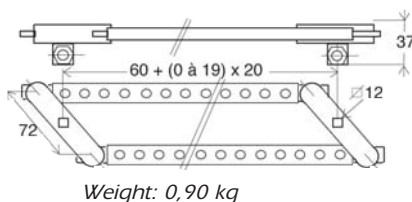


**Reverse system 1-0-2:** for IT250 K to 350 K  
for IT 500 K to 800 K



**VI and VIII-pole:** for IT 500 K to 800 K  
Ref N°: P097119 - Cat N°: ADAIT500/1600

To order with outside handle and an additional shaft



Reference Number	Switch model	A	B	C	D	E	H	J	X	Weight (kg)	Catalog Number
C 202 172	IT 250 to 350 K	11	83	34	61	53	8 à 15	145	8	2,75	INVT250/350
B 092 599	IT 500 to 800 K	18	90	40	100	63	16 à 23	220	12	4,60	INVT500/1600

C 202 172 plastic handle. B 092 599 metal handle.

**NOTE:** Weights given without accessories. Tightening torques of switches depend on quality of bolts.

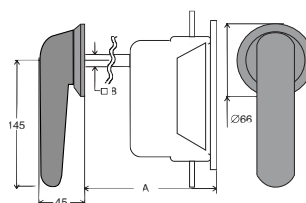


## Non-fused Switches Front-handle IT 250 to 800A

### Control handles dimensions Inside padlockable side

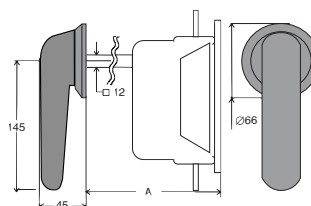
Handle Ref. number	Color	Switch model	A: mounting depth	A: with long shaft	A: with long shaft
S 209 914	Black	IT 250 K	120 mm	W 202 166*	D210108*
T 209 915	Red	IT 315 K IT 350 K	to 200 mm	220 to 300 mm	480 to 560 mm

\*Only long shaft. Must be ordered with handle. Weight: 0,25 kg.



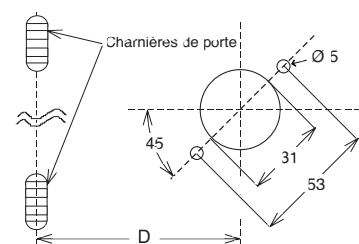
Handle Ref. number	Color	Switch model	A: mounting depth	A: with long shaft	A: with long shaft
Q 209912	Black	IT 500 K	230	L 097 093*	P092979*
R209913	Red	IT 630 K IT 800 K	to 320 mm	375 to 460 mm	445 to 540 mm

\*Only long shaft. Must be ordered with handle. Weight: 0,25 kg.



### Drilling for outside handles

Handle Ref. number	D: minimal distance between door hinges shaft and handle shaft	Catalog Number
S 209914	150 mm	PERNIT250/350
T 209915		PERJIT250/350
Q 209912	80 mm	PERNIT500/1600
R 209913		PERJIT500/1600



### Shroud for protection against live part touching

Terminal Shroud Ref. number	Switch model	A	B	C	Weight	Figure	Catalog Number
A202170	IT 250K IT 315K IT 350K	92,5	105	44	70 g	1	CBIT250/3503
Q 096499	IT 500K III	125	120	175	250 g	2	CBIT5004
Z 096507	IT 500K IV	125	120	221	300 g	2	CBIT5004
F 080137	IT 630K III	125	120	207	260 g	2	CBIT6303
E 080136	IT 630K IV	125	120	269	310 g	2	CBIT6304
G 080138	IT 800K III	125	120	223	270 g	2	CBIT8003
D 080135	IT 800K IV	125	120	293	320 g	2	CBIT8004

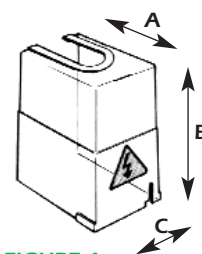


FIGURE 1

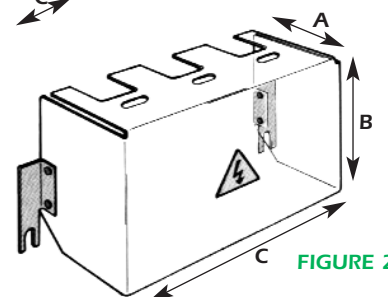


FIGURE 2



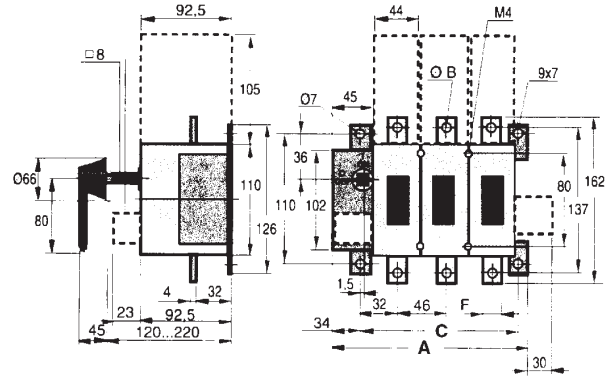
## Non-fused Switches Front-handle IT 250 to 800A

### Dimensions and weight

#### IT 250 K - 315 K - 350 K

Pole	IT 250 K		IT 315 K		IT 350 K	
	III	IV	III	IV	III	IV
A (mm)	199	245	199	245	199	245
Ø B (mm)	9	9	11	11	11	11
C (mm)	157	203	157	203	157	203
F (mm)	20	20	25	25	25	25
Weight (kg)	3	3,7	3	3,7	3	3,7

Terminal tightening torque: M8 bolt 15 N.m to 22 N.m  
M10 bolt 30 N.m to 44 N.m  
Tightening torques for switches: M6 screw 6 N.m to 10 N.m



#### IT 500 K - 630 K - 800 K

Pole	IT 500 K		IT 630 K		IT 800 K	
	III	IV	III	IV	III	IV
A (mm)	216	262	248	310	264	334
B (mm)	153	199	185	247	201	271
C (mm)	205	205	223	223	223	223
D (mm)	46	46	62	62	70	70
E (mm)	180	180	185	185	185	185
F (mm)	25	25	40	40	40	40
Ø G (mm)	11	11	13,5	13,5	13,5	13,5
H (mm)	4	4	5	5	5	5
I (mm)	175	221	207	269	223	293
Weight (kg)	5,2	6,4	6,2	7,6	6,2	7,6

Terminal tightening torque: M10 bolt 30 N.m to 44 N.m  
M12 bolt 50 N.m to 75 N.m  
Tightening torques for switches: M6 screw 6 N.m to 10 N.m

