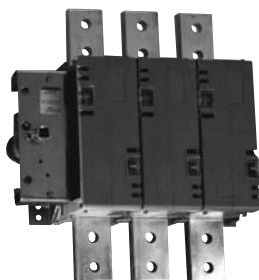
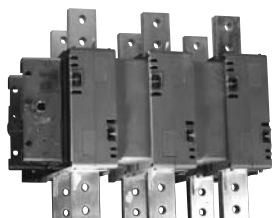




Non-fused Switches Front-handle IT 1000 to 3150A



IT 1250



IT 2500

SWITCH-DISCONNECTORS INDICATED INTERRUPTION IT 1000 to 3150 A Front-operated switches

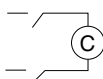
- DUAL-INDICATED INTERRUPTION
- POSITIVE FRONT CONTROL
- SNAP CONTACTS which ensures rapid disconnection regardless of how fast the user turns the operation handle.
- SILVER-PLATED COPPER ELECTRIC CONTACTS PROTECTION FOR ALL CLIMATES: ISOLATING PARTITIONS MADE WITH VO UL 94 MATERIALS
- COMPLIANCE WITH IEC 947-1 AND 3, NF C60 947
- HIGH-PERFORMANCE INTERRUPTING RATING (AC23 AND DC23 CLASSES)
- 3- AND 4-POLE MODELS STANDARD
- FOR OTHER RATINGS, REFER TO OUR TECHNICAL DATA SHEETS

Main electrical characteristics

		IT 1000K	IT 1250K	IT 1600K	IT 2500K	IT 3150K
Rated operational current at ambient	Ith	1000	1250	1600	2500	3150
Rated operational current under cover	Ithe	1000	1250	1600	2300	2600
Rated operational voltage AC-20 DC-20	V	1 000	1 000	1 000	1 000	1 000
Rated insulation voltage (Ui)	V	1 000	1 000	1 000	1 000	1 000
Rated impulse withstand voltage	kV	8	8	8	8	8
RMS prospective short-circuit current with aM or gG class FerrazSchawmut fuses	kA	50	50	—	—	—
Fuse Rating	A	800	1000	—	—	—
Permissible peak let-through current	kA	—	—	—	—	—
Rating operating current:						
AC-21-A	690V	1000	1250	1600	2500 +	3150 +
AC-22-A	≤500V	1000	1250	1600	1600 +	1600 +
AC-23-A	≤500V	800	800	800	800 +	800 +
Rated operating power AC -23 in kW	415V	400	400	400	400	400
with a 3-phase 1.500 rpm standard asynchronous motor at	500V	450	450	450	450	450
	690V	—	—	—	—	—
AC-23 interrupting rating: I _c A at cosφ = 0.35 under rated operating voltage (U _e)	≤500 V	6400	6400	6400	6400	6400
	690V	2500 ⊕	2500 ⊕	2500 ⊕	4800 *	4800 *
DC-23-A rating operating current / poles in series** for	110 V	Consult us				
	220 V					
	440 V					
RMS permissible short duration (1.5) rated current	kA	33	33	33	37	37
Mechanical endurance: operation cycles number (1 cycle = 1 opening + 1 closing of contacts)		5 000	5 000	5 000	3 000	3 000
Electrical endurance : operation cycles number at I _e and cosφ 0.65	500 V	500	500	500	100 +	100 +
Power loss per pole	en W	27	40	67	90	140
Tightening torque for terminals	mini	50	50	50	50	50
	maxi	75	75	75	75	75

⊕ cosφ = 0,95 * cosφ = 0,65 + use in class B

** To be connected in series by user. Distributing poles per conductor e.g. in series.



E.g. 3 poles in series. Connection recommended.



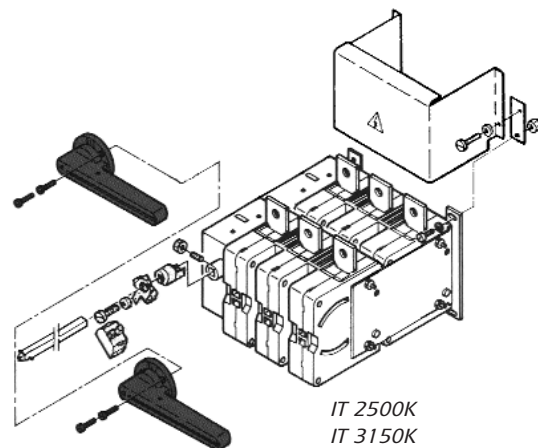
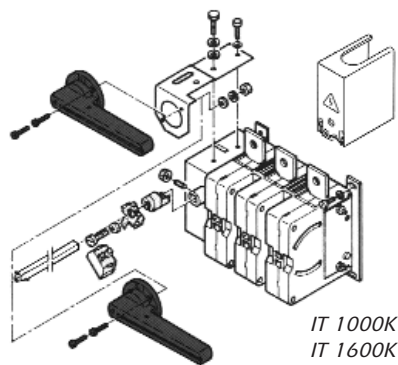


Non-fused Switches Front-handle IT 1000 to 3150A

Standard switches

Microswitch, protection, handle and shaft must be ordered separately - See Accessories section

Current rating I _{th}	Pole	Designation	Reference Number	Catalog Number
1000 A	3	IT 1000 K III	B 081559	IT1000S3CF
	4	IT 1000 K IV	C 081560	IT1000S4CF
1250 A	3	IT 1250 K III	T 096157	IT1250S3CF
	4	IT 1250 K IV	V 096158	IT1250S4CF
1600 A	3	IT 1600 K III	R 096155	IT1600S3CF
	4	IT 1600 K IV	S 096 156	IT1600S4CF
2500 A	3	IT 2500 K III	J 081681	IT2500S3CF
	4	IT 2500 K IV	H 081680	IT2500S4CF
3150 A	3	IT 3150 K III	B 202148	IT3150S3CF
	4	IT 3150 K IV	A 202147	IT3150S4CF





Non-fused Switches Front-handle IT 1000 to 3150A

Accessories

Reference Number

Current rating	Pre-isolating microswitch Single microswitch ① 1 NO - 1 NC Twin microswitch ② 1 NO - 1 NC Low level micro. ③ 1 NO - 1 NC	Protection against live terminal touching ● One shroud per terminals ⊗ One partition upstream and one downstream	Inside ↖ or outside ▼ black handle padlockable with 3 padlocks (Ø 8 mm) ▼ (Door locked when handle is ON)	Inside ↖ or outside ▼ red and yellow handle padlockable with 3 padlocks Ø ≤ 8 mm ▼ (Door locked when handle is ON)	⚠ Obligatory inside control adaptation for inside control	Long shaft without handle for outside control	
1000 A	① S086588 ② L097300 ③ J208020	● S095880	Q209912 or Y210678 Supplied with a 250 mm shaft	R209913 or Z210679 Supplied with a 250 mm shaft	R092084	L097093 395 mm shaft	
1250 A			● S095880	⚠ (for inside control order control adaptation)			⚠ (for inside control order control adaptation)
1600 A							
2500 A III IV		* L099554 * K099553	Y210678	F099549(*) (*red handle)	-	P092979 465 mm shaft	
3150 A III IV		* L099554 * K099553					

Catalog Number

Current rating	Pre-isolating microswitch Single microswitch ① 1 NO - 1 NC Twin microswitch ② 1 NO - 1 NC Low level micro. ③ 1 NO - 1 NC	Protection against live terminal touching ● One shroud per terminals ⊗ One partition upstream and one downstream	Inside ↖ or outside ▼ red and yellow handle padlockable with 3 padlocks (Ø 8 mm) ▼ (Door locked when handle is ON)	Inside ↖ or outside ▼ red handle padlockable with 3 padlocks Ø ≤ 8 mm ▼ (Door locked when handle is ON)	⚠ Obligatory inside control adaptation for inside control	Long shaft without handle for outside control	
1000 A	① FOIT500NO/NC ② FOIT5002NO/NC ③ FOIT5002NONCBN	● CBIT1000/1600	PERNIT500/1600 or PERNIT2500/3150 Supplied with a 250 mm shaft	PERJIT500/1600 or PERJIT2500/3150 Supplied with a 250 mm shaft	APIIT1000/1600	A395IT500ITC250 395 mm shaft	
1250 A			● CBIT1000/1600	⚠ (for inside control order control adaptation) outside only			⚠ (for inside control order control adaptation)
1600 A							
2500 A III IV		* EIT31503 * EIT31504				A465IT500ITC250 465 mm shaft	
3150 A III IV		* EIT31503 * EIT31504		PERNIT2500/3150	or PEDT2500/3150 Red handle	-	



Non-fused Switches Front-handle IT 1000 to 3150A

Ready to install complete switch

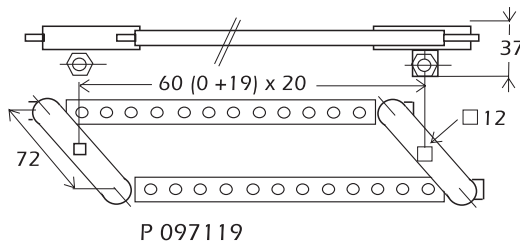
SWITCH WITH DIRECT HANDLE + EXTERNAL HANDLE + AUXILIARY CONTACT (2 NO + NC) + PROTECTION AGAINST LIVE TERMINAL TOUCHING

Current rating Ith	Poles	Designation	Reference Number	Catalog Number
1000A	3	IT 1000 CIII Cde Front N&R	B 235291	IT1000C3CFN
	4	IT 1000 CIV Cde Front N&R	C 235292	IT1000C4CFN
	3	IT 1000 CIII Cde Front J&R	D 235293	IT1000C3CFJ
	4	IT 1000 CIV Cde Front J&R	E 235294	IT1000C4CFJ
1250A	3	IT 1250 CIII Cde Front N&R	F 235295	IT1250C3CFN
	4	IT 1250 CIV Cde Front N&R	G 235296	IT1250C4CFN
	3	IT 1250 CIII Cde Front J&R	H 235297	IT1250C3CFJ
	4	IT 1250 CIV Cde Front J&R	J 235298	IT1250C4CFJ
1600A	3	IT 1600 CIII Cde Front N&R	K 235299	IT1600C3CFN
	4	IT 1600 CIV Cde Front N&R	L 235300	IT1600C4CFN
	3	IT 1600 CIII Cde Front J&R	M 235301	IT1600C3CFJ
	4	IT 1600 CIV Cde Front J&R	N 235302	IT1600C4CFJ
2500A	3	IT 2500 CIII Cde Front N&R	P 235303	IT2500C3CFN
	4	IT 2500 CIV Cde Front N&R	Q 235304	IT2500C4CFN
	3	IT 2500 CIII Cde Front J&R	R 235305	IT2500C3CFJ
	4	IT 2500 CIV Cde Front J&R	S 235306	IT2500C4CFJ
3150A	3	IT 3150 CIII Cde Front N&R	T 235307	IT3150C3CFN
	4	IT 3150 CIV Cde Front N&R	V 235308	IT3150C4CFN
	3	IT 3150 CIII Cde Front J&R	W 235309	IT3150C3CFJ
	4	IT 3150 CIV Cde Front J&R	X 235310	IT3150C4CFJ

External handle : N&R = black / J&R = red and yellow

Accessories for outside control

VI and VIII pole system for IT 1000 to 1600 K

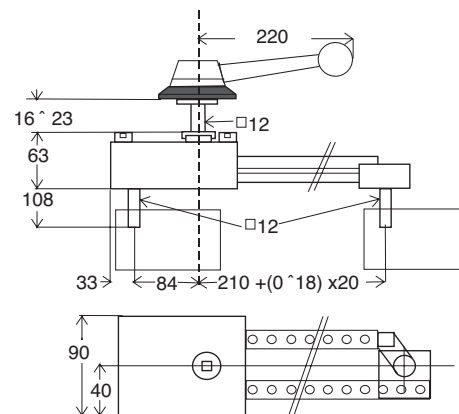


Handle (F099549) and additional shaft (L097093 or P092979) must be ordered separately.

HANDLE SUPPLIED

Reference Number	Switch Model	Weight	Catalog Number
P097119	IT 1000 to 1600 K	1 kg	ADAIT500/600

Reversing system 1-0-2 for IT 1000 to 1600K



HANDLE SUPPLIED

Reference Number	Switch Model	Weight	Catalog Number
B092599	IT 1000 to 1600 K	4,50kg	INVIT500/1600

NOTE: Weights without accessories; tightening torques of switches depend on quality of bolts.



Non-fused Switches Front-handle IT 1000 to 3150A

Dimensions and weight

IT 1000K - 1250 K - 1600 K

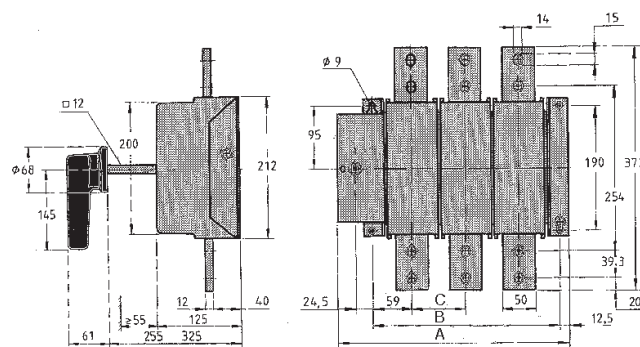
Pole	IT 1000 K		IT 1200 K		IT 1600 K	
	III	IV	III	IV	III	IV
A (mm)	343	423	343	423	363	453
B (mm)	278	358	278	358	298	388
C (mm)	80	80	80	80	90	90
d (mm)	80	80	80	80	90	90
Weight (kg)	16,3	20,5	16,3	20,5	17,5	22,5

Terminal tightening torque:

M12 bolt 50 N.m to 75 N.m

Tightening torque for switches:

M8 screw 11 N.m to 22 N.m



IT 2500K - 3150 K

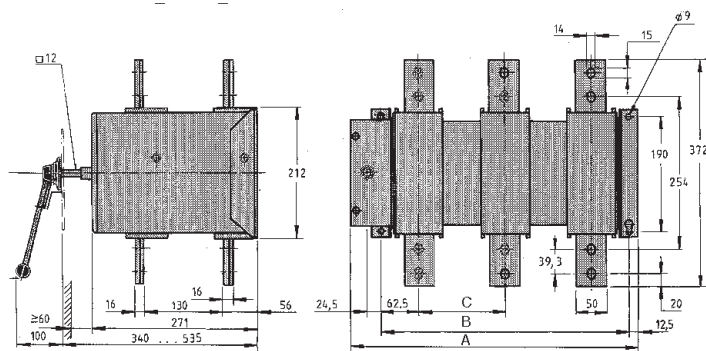
Pole	IT 2500 K		IT 3150 K	
	III	IV	III	IV
A (mm)	468	607	468	607
B (mm)	403	542	403	542
C (mm)	139	139	139	139
Weight (kg)	37	47	37	47

Terminal tightening torque:

M12 bolt 50 N.m to 75 N.m

Tightening torque for switches:

M8 screw 11 N.m to 22 N.m



Microswitch characteristics

Reference Number	Minimum for safe operation	Maximum for operation in AC 12	Application
① S 086 588 ② L 097 300	24 V 25 mA AC / DC	690 V 2 A cos φ = 0,9	Single-standard microswitch Twin-standard microswitch
③ J 208 020	24 V 10 mA AC / DC	690 V 2 A cos φ = 0,9	Single microswitch. Agressive atmosphere or connection with a programmable machine

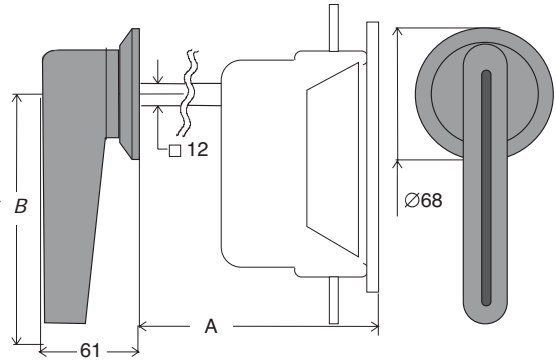


Non-fused Switches Front-handle IT 1000 to 3150A

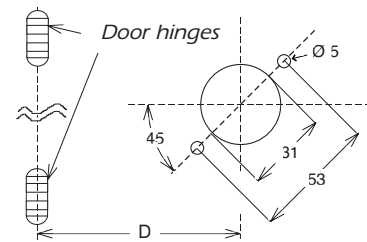
Control handles dimensions and drilling for out side handle

Ref. Number	Switch Model	A: distance depth	A: with long shaft	B
Q209912	IT 1000 to	255 mm to 325 mm	L 097 093	145
R209913	IT 1600		400 to 470 mm	
Y210678	IT 1000 to	505 to 570 mm	P 092 979	
Z210679	IT 3150			

Weight: 0.56 kg.

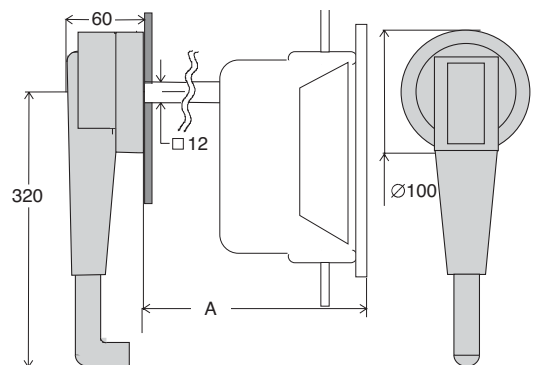


Handle Ref. number	D: minimal distance between door hinges shaft and handle shaft
S 209914	150 mm
T 209915	
Q 209912	80 mm



Ref. Number	Switch Model	A: distance depth	A: with long shaft
F 099 549	IT 2500K	360 mm to 490 mm	L 097 093
	IT 3150K		570 to 700 mm
			P 092 979
			675 to 800 mm

Weight: 1.2 kg.



Reference Number	D: minimal distance between hinge shaft and handle shaft
F099549	150 mm

