

American Fuses Surge Suppression Fuses VSP

Ferraz Shawmut surge suppression fuses are specially designed to address the protection of TVSS systems. Surge suppression fuses have been specially designed to withstand 8x20 mSec surge pulses without opening, allowing the TVSS system to react to the surge. All surge suppression fuses have a 8x20 mSec surge rating, not a continuous current rating. Under AC short circuit conditions these surge suppression fuses are very current limiting.

Features/Benefits

- VSP fuses rated 600 VAC, 200kA I.R.
- Surge Ratings of 5-100kA 8x20 μ sec capacity
- Designed to help meet UL1449 Second Edition Requirements
- Various Mounting Configurations: ferrules, blade, bolt-in, pc board mount

Ratings

- 5-100 kA 8x20 μ Sec Weveform 600 VAC, 200 kA I.R.

Approvals

- UL Recognized Component
- File E60314, Vol.3 Special Purpose MOV Protector

Applications:

- Protection of TVSS Devices
- Coordination with other protection devices



Catalog Number	Reference Number	Voltage Rating (AC)	8x20 μ sec Surge Rating	Melting I ² t (A ² S)	Clearing I ² t (A ² S)	I _{peak} @ 100KA (60 Hz (A)
VSP5-2,R,-H,-S	G219886	600V	5,000	341	936	3,652
VSP10-2,R,-H,-S	X217807	600V	10,000	1,541	3,744	5,794
VSP15-2,R,-H,-S-	L227572	600V	15,000	3,072	8,424	7,591
VSP20-2,R,-H,-S	W218841	600V	20,000	4,992	14,400	9,194
VSP30-2	X230457	600V	30,000	12,507	33,696	12,044
VSP40-2	J211677	600V	40,000	19,543	59,904	14,588
VSP50-2	W232250	600V	50,000	32,020	93,600	16,925
VSP60-2	F212709	600V	60,000	42,808	134,784	19,110
VSP70-2	G213722	600V	70,000	61,152	183,456	21,176
VSP80-2	S214744	600V	80,000	79,872	239,616	23,146
VSP90-2	X232251	600V	90,000	99,000	303,264	25,034
VSP100-2	F201416	480V	100,000	121,500	374,400	26,854
VSP100-XL	L230447	600V	100,000	121,500	374,400	26,854

Recommended Fuse Blocks for VSP Fuses

VSP(5-20)-2 Catalog Number

Number of poles	Box	Screw	Pressure plate
Adder	30310	30320	30350
1	30311	30321	30351
2	30312	30322	30352
3	30313	30323	30353

VSP(5-20)-2 Reference Number

Number of poles	Box	Screw	Pressure plate
Adder	N211888	S218033	F214457
1	A212405	Y218544	G214964
2	E214456	K222787	L216486
3	F214963	B201642	Z217004

VSP(30-100)-2 Catalog Number

Number of poles	Box	Screw	Pressure plate
Adder	60305J	60315J	60325J
1	60306J	60316J	60326J
2	60307J	60317J	60327J
3	60308J	60318J	60328J

VSP(30-100)-2 Reference Number

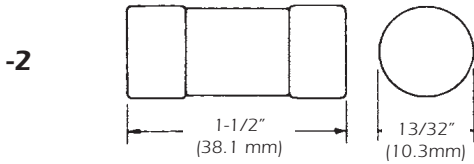
Number of poles	Box	Screw	Pressure plate
Adder	K204893	N218029	Y212403
1	J211884	P219065	T213434
2	S213433	Y222040	B214453
3	A214452	V223302	F215469



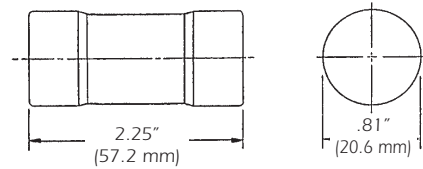
American Fuses Surge Suppression Fuses VSP

Dimensions

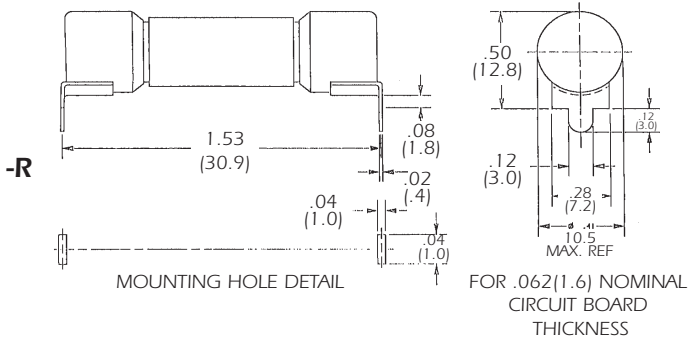
VSP (5-20)-2,R,H,S



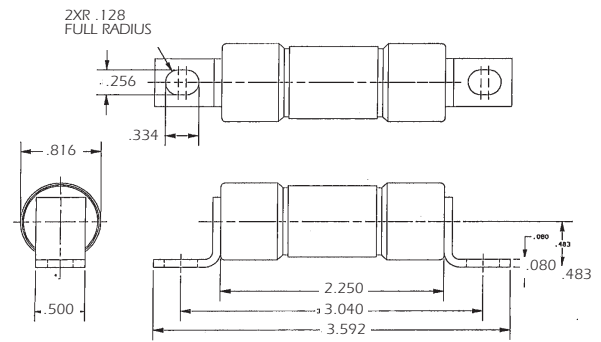
VSP (30-100)-2



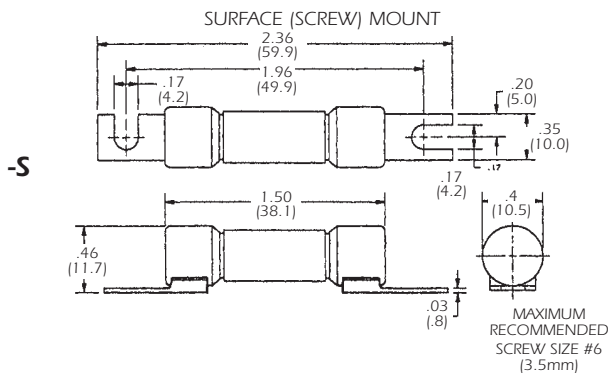
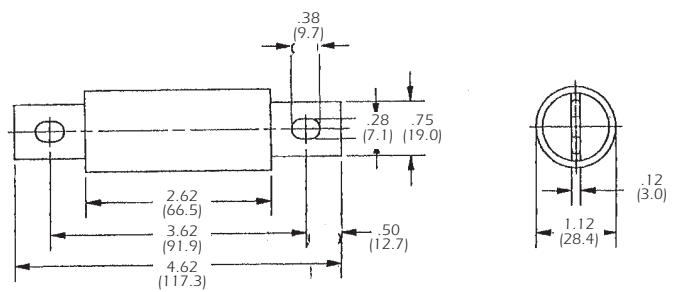
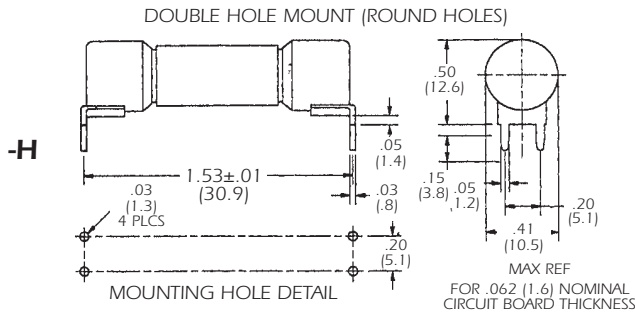
PC BOARD MOUNTING



VSP30-100



VSP100-XL



Peak Let-Thru Current data

