

American Fuses Telecom Fuses GMS

GMS/GMSC/GMSD

- Safety Covers
- Color Coded
- Lubricated
- Ryton Body Material
- Rated 125V AC, 125V DC
- UL Recognized 125 V AC, 300A I.R.; 125V DC, 300A I.R.
Guide JDYX2, File E39265
- Carry 100% load - 10 minutes, min.
clear 150% load - 5 minutes, max.



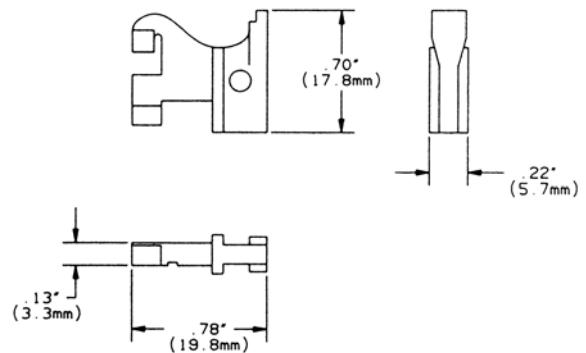
GMS series alarm indicating telecommunications fuses

Ferraz Shawmut GMS Series Alarm Indicating fuses are used in telecommunications equipment or other applications. A color coded flag indicates a circuit problem which caused the fuse to blow. Nineteen ampere ratings/colors fill every replacement need.

GMS: Alarm indicating telecommunications fuse

GMSC: Safety cover for GMS fuse (not shown)

GMSD: Dummy fuse to protect unused circuits



Reference Numbers, Ampere Ratings, Certifications

Ampere Rating	Catalog Number	Reference Number	Volts	Color Code
180mA	GMS 18/100	Z215509	125	Yellow
200mA	GMS2/10	S217044	125	Black-Red
250mA	GMS1/4	S212444	125	Violet
500mA	GMS1/2	E211926	125	Red
650mA	GMS65/100	F211927	125	Black
750mA	GMS3/4	N218581	125	Brown
1A	GMS1	L201674	125	Gray
1.33A	GMS1-1/3	C211418	125	White
1.5A	GMS1-1/2	V205477	125	White-Yellow
2A	GMS2	G216022	125	Orange
2.5A	GMS2-1/2	C216524	125	White-Orange
3A	GMS3	C217559	125	Blue
3.5A	GMS3-1/2	J218071	125	White-Blue
4A	GMS4	B219628	125	White-Brown
5A	GMS5	R222080	125	Green
7.5A	GMS7-1/2	T212445	125	Black-White
10A	GMS10	C212959	125	Red-White
12A	GMS12	G213975	125	Yellow-Green
15A	GMS15	S214491	125	Red-Blue