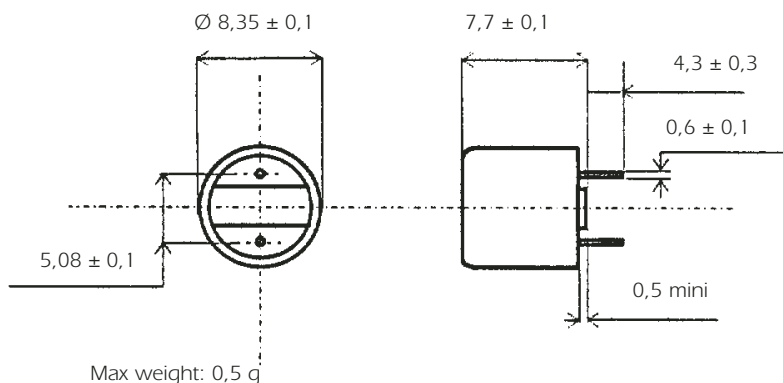


IEC Fuses Subminiature MRF Fast Acting

Complying with IEC-127-3 Standard Sheet 3

250 VAC
FROM 0,050 TO 6,3 A

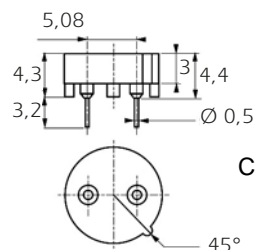
Dimensions



Basic Characteristics

Size	Rated Voltage	Rated Current	Breaking Capacity under 250 VAC	Max. power dissip	Max. Voltage drop	Désignation	Reference Number	Catalog Number
mm	VAC	A	A	W	V			
Ø8,35 x h=7,7	250	0,050	35	0,08	0,72	250V MRF 0,05 A	K 085 385	MIMRF25V0,05
		0,063		0,09	0,65	250V MRF 0,063 A	L 085 386	MIMRF25V0,063
		0,080		0,11	0,58	250V MRF 0,08 A	M 085 387	MIMRF25V0,08
		0,100		0,12	0,52	250V MRF 0,1 A	N 085 388	MIMRF25V0,1
		0,125		0,14	0,47	250V MRF 0,125 A	P 085 389	MIMRF25V0,125
		0,160		0,10	0,27	250V MRF 0,16 A	Q 085 390	MIMRF25V0,16
		0,200		0,12	0,26	250V MRF 0,2 A	R 085 391	MIMRF25V0,2
		0,250		0,15	0,254	250V MRF 0,250 A	S 085 392	MIMRF25V0,25
		0,315		0,18	0,246	250V MRF 0,315 A	T 085 393	MIMRF25V0,315
		0,400		0,22	0,239	250V MRF 0,400 A	V 085 394	MIMRF25V0,4
		0,500		0,27	0,232	250V MRF 0,500 A	X 085 396	MIMRF25V0,5
		0,630		0,15	0,106	250V MRF 0,630 A	Y 085 397	MIMRF25V0,63
		0,800		0,19	0,103	250V MRF 0,800 A	Z 085 398	MIMRF25V0,8
		1,000		0,23	0,1	250V MRF 1 A	A 085 399	MIMRF25V1
		1,250		0,28	0,097	250V MRF 1,25 A	B 085 400	MIMRF25V1,25
		1,600		0,35	0,094	250V MRF 1,6 A	C 085 401	MIMRF25V1,6
		2,000		0,42	0,091	250V MRF 2 A	D 085 402	MIMRF25V2
		2,500		0,51	0,088	250V MRF 2,5 A	E 085 403	MIMRF25V2,5
		3,150		0,62	0,086	250V MRF 3,15 A	F 085 404	MIMRF25V3,15
		4,000			40	0,77	0,083	250V MRF 4 A
5,000			50	0,93	0,081	250V MRF 5 A	R 208 625	MIMRF25V5
6,300*			63	1,14	0,078	250V MRF 6,3 A	S 208 626	MIMRF25V6,3

* Non approval rating



Reference Number:
G210548

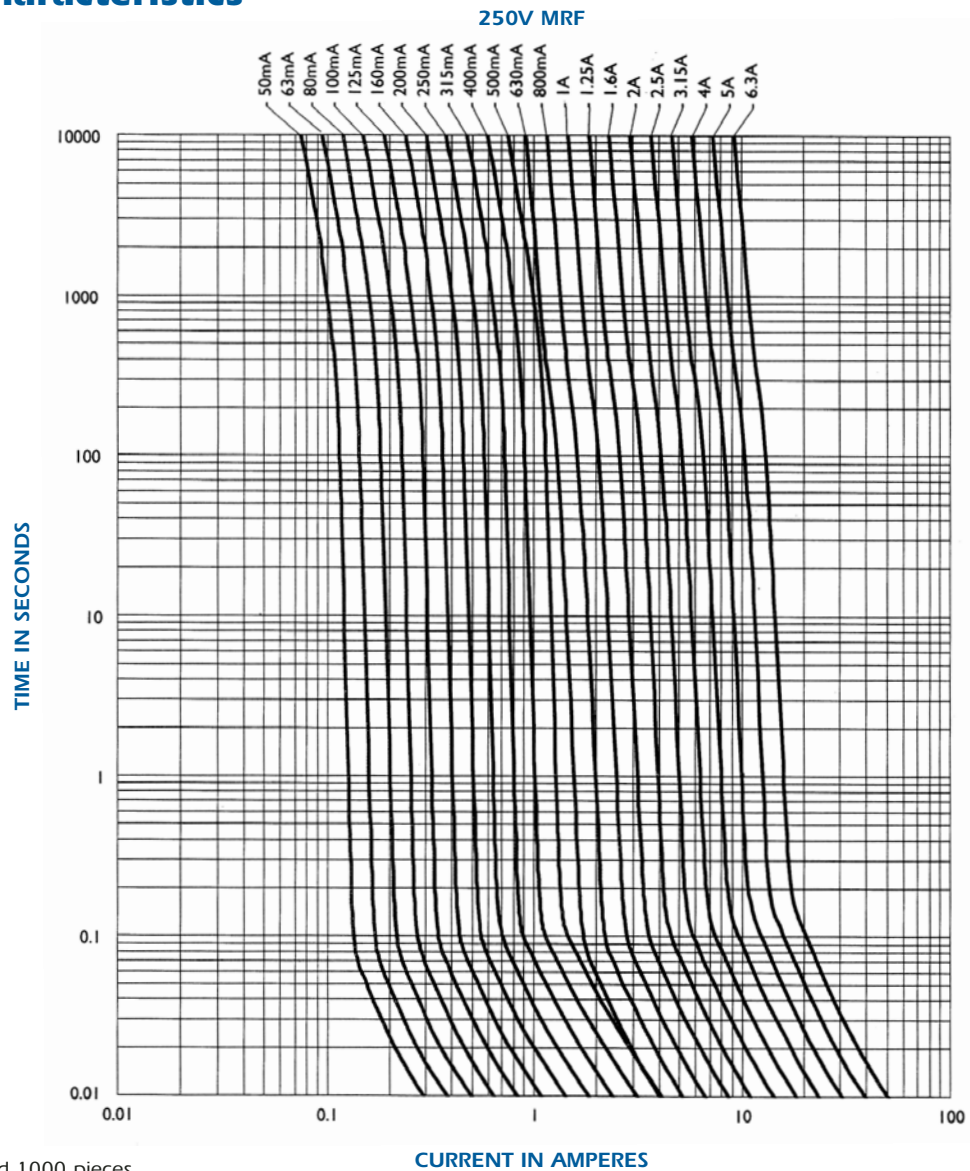
Catalog number MISIMRT/MRF

IEC Fuses Subminiature MRF Fast Acting

Melting time limits

Current	210 % x I _n	275 % x I _n		400 % x I _n		1 000 % x I _n
50 mA → 6,3 A	30 min maxi	10 ms mini	3 s maxi	3 ms mini	300 ms maxi	20 ms maxi

Time-current characteristics



Packaging: in box of 100 and 1000 pieces

Installation instructions

- Soldering heat resistance as per IEC 68-2-20: 260°C for 10 seconds.
- Material:
 - Body: Thermoplastic V0 UL 94.
 - Connection: Tin-plated copper alloy.
- Operating temperature: -55°C to 125°C.