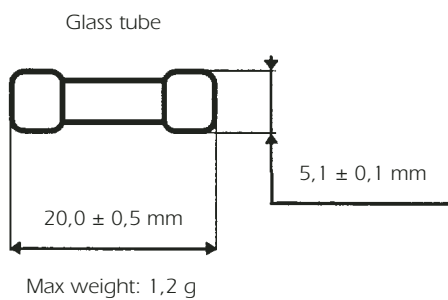


UL Fuses 5x20 5MF Fast Blow

Complying with UL / CSA 248-14

250 VAC/ 125 VAC
FROM 0.08 TO 8 A

Dimensions



Basic Characteristics

Size	Rated Voltage	Rated Current	Breaking Capacity under		Max power dissip	Max voltage drop	Designation	Reference Number	Catalog Number
mm	VAC	A	250 VAC	125 VAC	W	V			
5 x 20	250	0,080	200	10 000	0,32	3,05	250V 5MF 0,08 A 5 x 20	Q208601	MI5MF25V0,08
		0,100			0,35	2,65	250V 5MF 0,100 A 5 x 20	F207511	MI5MF25V0,1
		0,125			0,6	3,64	250V 5MF 0,125 A 5 x 20	G207512	MI5MF25V0,125
		0,200			0,72	2,76	250V 5MF 0,200 A 5 x 20	H207513	MI5MF25V0,2
		0,250			0,79	2,40	250V 5MF 0,250 A 5 x 20	J207514	MI5MF25V0,25
		0,300			0,84	2,09	250V 5MF 0,300 A 5 x 20	K207515	MI5MF25V0,3
		0,400					250V 5MF 0,400 A 5 x 20	L207516	MI5MF25V0,4
		0,500			1,04	1,58	250V 5MF 0,500 A 5 x 20	V206236	MI5MF25V0,5
		0,600					250V 5MF 0,600 A 5 x 20	W206237	MI5MF25V0,6
		0,700			0,20	0,22	250V 5MF 0,700 A 5 x 20	M207517	MI5MF25V0,7
	0,750			250V 5MF 0,750 A 5 x 20	X206238	MI5MF25V0,75			
	0,800			250V 5MF 0,800 A 5 x 20	N207518	MI5MF25V0,8			
	1,000			250V 5MF 1 A 5 x 20	Y206239	MI5MF25V1			
	1,250			250V 5MF 1,25 A 5 x 20	Z206240	MI5MF25V1,25			
	1,500			250V 5MF 1,5 A 5 x 20	A206241	MI5MF25V1,5			
	1,600			250V 5MF 1,6 A 5 x 20	P207519	MI5MF25V1,6			
	2,000			250V 5MF 2 A 5 x 20	B206242	MI5MF25V2			
	2,500			250V 5MF 2,5 A 5 x 20	C206243	MI5MF25V2,5			
	3,000			250V 5MF 3 A 5 x 20	D206244	MI5MF25V3			
	125	4,000	-		0,73	0,14	125V 5MF 4 A 5 x 20	E206245	MI5MF12,5V4
5,000		0,86			0,13	125V 5MF 5 A 5 x 20	F206246	MI5MF12,5V5	
6,000		0,98			0,12	125V 5MF 6 A 5 x 20	G206247	MI5MF12,5V6	
7,000		1,1			0,12	125V 5MF 7 A 5 x 20	H206248	MI5MF12,5V7	
8,000		1,22			0,12	125V 5MF 8 A 5 x 20	J206249	MI5MF12,5V8	

Miniature Fuses

UL Fuses

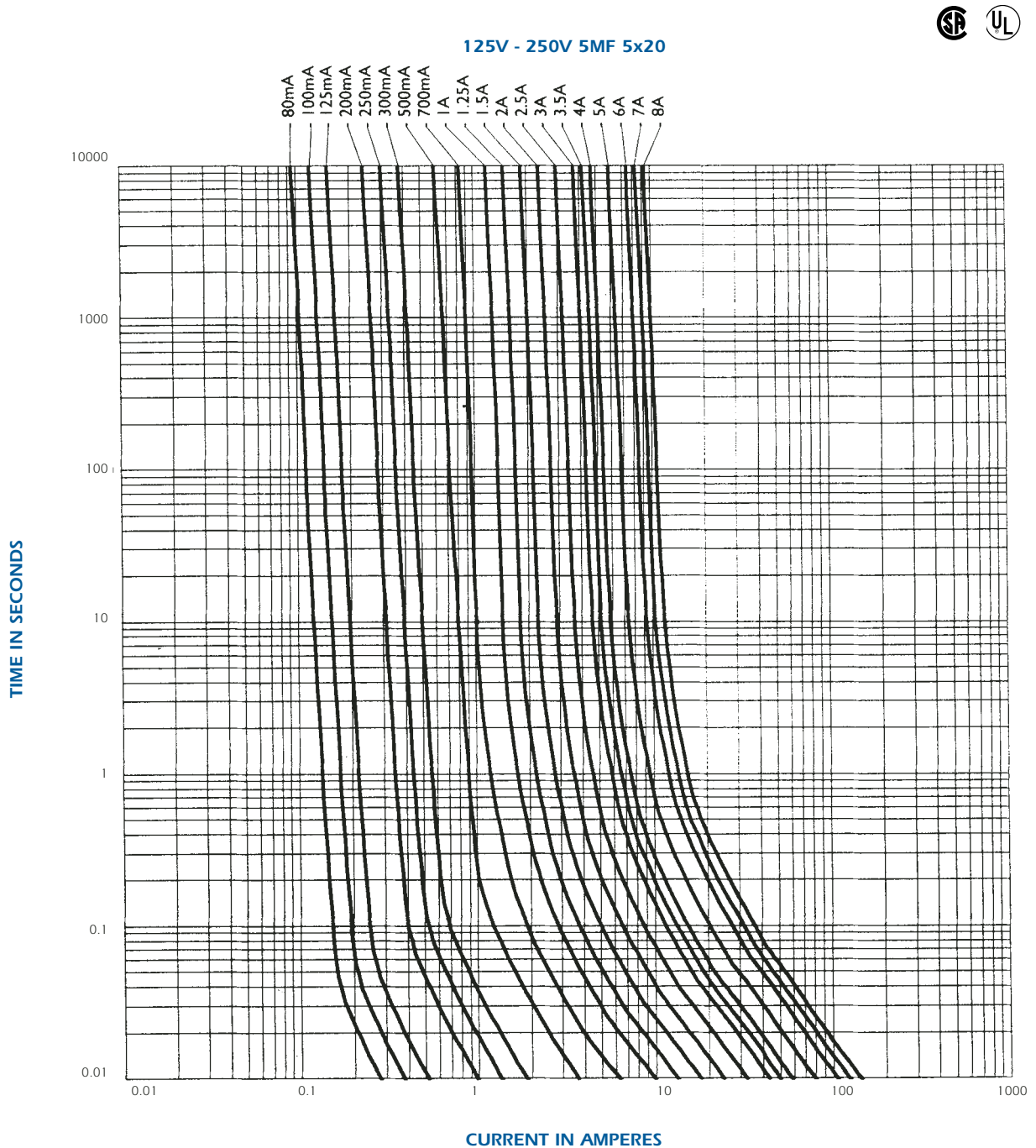
5x20

5MF Fast Blow

Melting time limits

Current	100 % x I _n	135 % x I _n	200 % x I _n
0,08 -> 8 A	4 h mini	1 h maxi	5 s maxi

Time-current characteristics



Packaging: in box of 1000 pieces.
in blister of 50 pieces.