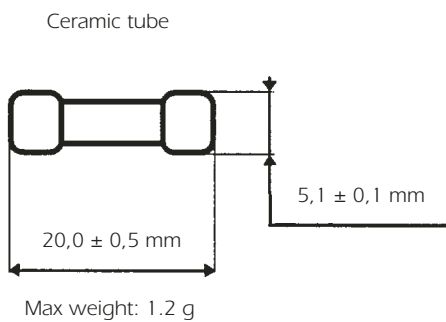


## IEC Fuses 5x20 High breaking capacity 5HF Fast Acting

Complying with IEC-127-2 Standard Sheet 1

**250 VAC**  
**FROM 0.1 TO 10 A**

### Dimensions

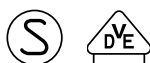


### Basic Characteristics

Size	Rated Voltage	Rated Current	Breaking Capacity under 250 VAC	Max power dissip	Max voltage drop	Designation	Reference Number	Catalog Number
mm	VAC	A	A	W	V			
5 x 20	250	0,1#	1500	0,30	0,56	250V 5HF 0,1 A 5 x 20	G095548	MI5HF25V0,1
		0,125#		0,36	0,54	250V 5HF 0,125 A 5 x 20	H095549	MI5HF25V0,125
		0,16#		0,43	0,52	250V 5HF 0,16 A 5 x 20	J095550	MI5HF25V0,16
		0,2#		0,52	0,5	250V 5HF 0,2 A 5 x 20	Q095556	MI5HF25V0,2
		0,25#		0,63	0,48	250V 5HF 0,25 A 5 x 20	R095557	MI5HF25V0,25
		0,315#		0,76	0,46	250V 5HF 0,315 A 5 x 20	S095558	MI5HF25V0,315
		0,4#		0,92	0,44	250V 5HF 0,4 A 5 x 20	T095559	MI5HF25V0,4
		0,5#		1,11	0,43	250V 5HF 0,5 A 5 x 20	V095560	MI5HF25V0,5
		0,63#		1,35	0,41	250V 5HF 0,63 A 5 x 20	W095561	MI5HF25V0,63
		0,8#		0,58	0,2	250V 5HF 0,8 A 5 x 20	X095562	MI5HF25V0,8
		1		0,69	0,18	250V 5HF 1 A 5 x 20	Y095563	MI5HF25V1
		1,25		0,81	0,17	250V 5HF 1,25 A 5 x 20	C095567	MI5HF25V1,25
		1,6		0,96	0,16	250V 5HF 1,6 A 5 x 20	D095568	MI5HF25V1,6
		2		1,1	0,15	250V 5HF 2 A 5 x 20	E095569	MI5HF25V2
		2,5		1,3	0,14	250V 5HF 2,5 A 5 x 20	F095570	MI5HF25V2,5
		3,15		1,6	0,14	250V 5HF 3,15 A 5 x 20	G095571	MI5HF25V3,15
		4		1,9	0,13	250V 5HF 4 A 5 x 20	H095572	MI5HF25V4
		5		2,2	0,12	250V 5HF 5 A 5 x 20	J095573	MI5HF25V5
6,3	2,7	0,113	250V 5HF 6,3 A 5 x 20	K095574	MI5HF25V6,3			
8*#	3,1	0,106	250V 5HF 8 A 5 x 20	J085407	MI5HF25V8			
10*#	3,7	0,1	250V 5HF 10 A 5 x 20	K085408	MI5HF25V10			

\* Non-standard ratings.

# Product non-certified.

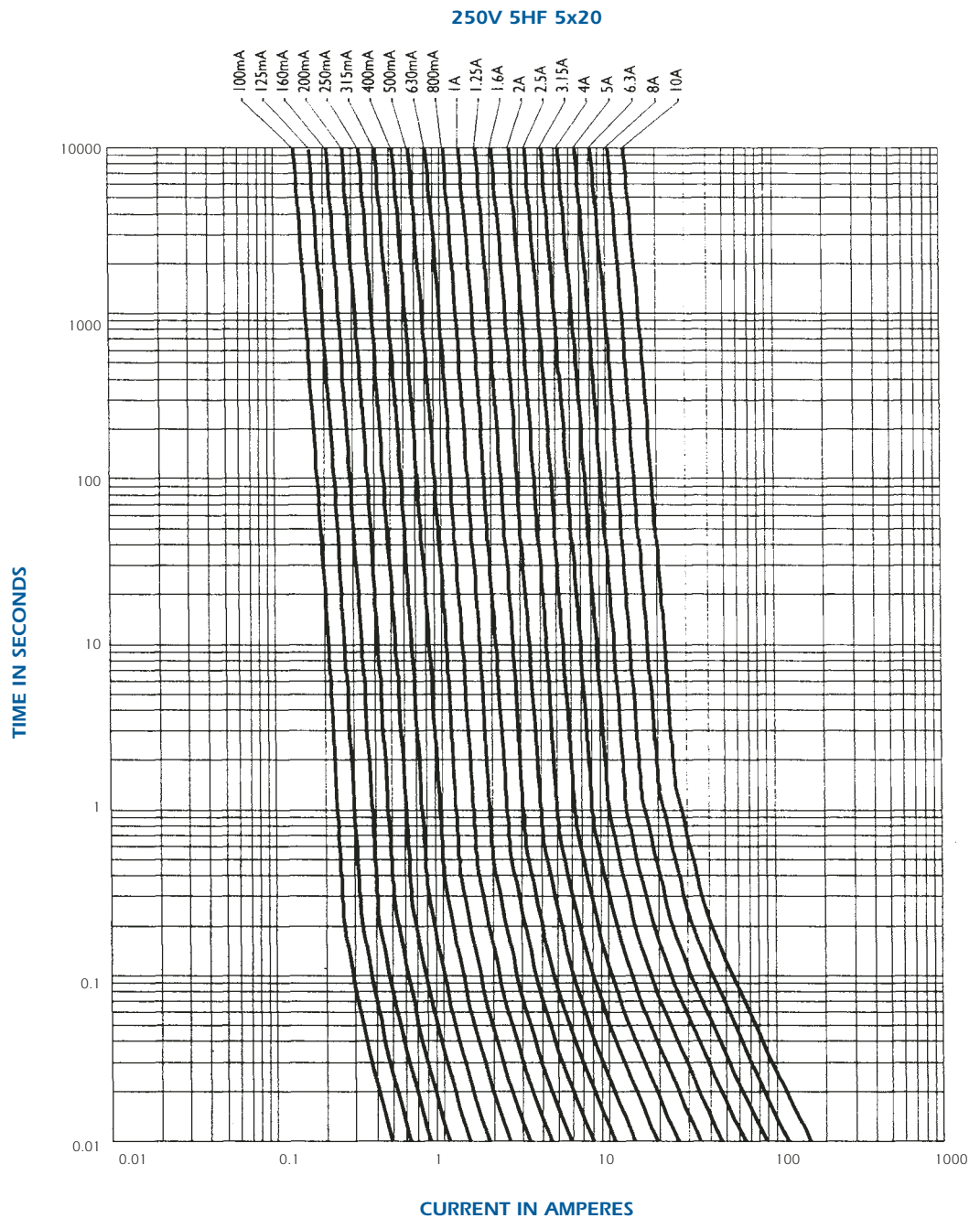


## IEC Fuses 5x20 High breaking capacity 5HF Fast Acting

### Melting time limits

Current	210 % x I <sub>n</sub>	275 % x I <sub>n</sub>		400 % x I <sub>n</sub>		1 000 % x I <sub>n</sub>
1 A → 3,15 A	30 min maxi	10 ms mini	2 s maxi	3 ms mini	300 ms maxi	20 ms maxi
4 A → 10 A	30 min maxi	10 ms mini	3 s maxi	3 ms mini	300 ms maxi	20 ms maxi

### Time-current characteristics



**Packaging:** in box of 1000 pieces.  
in blister of 50 pieces.