



Gears & Fuse Gears

American General Purpose Fuses Cylindrical & Blade Fuse Blocks Class H, K & R



CLASS H, K AND R FUSE BLOCKS

Ferraz Shawmut Class H, K and R Fuse Blocks accommodate all Class H, K and R 250 and 600V power fuses. A choice of screw, pressure plate, box and special order stud connectors fit a wide range of stranded or solid copper or aluminum wire. Insulators are either molded glass-filled polycarbonate (GFPC) or phenolic with verified dielectric strength in excess of 2500V. 30, 60 and 100A fuse blocks feature a unique adder block which can be snapped onto 1-, 2- or 3-pole blocks to form multi-pole segmented blocks of as many poles as desired. All fuse clips are made of high conductivity tin-plated copper, with a choice of spring reinforced or non-spring reinforced clips in 30A and 60A. Clips 100A and above are spring reinforced.

Ratings

- 250VAC: 30A, 60A, 100A, 200A, 400A, 600A
- 600VAC: 30A, 60A, 100A, 200A, 400A, 600A
- Withstand ratings: 250 & 600VAC, w/classH fuses - 10kA, w/classK fuses - 50kA, w/classR fuses - 200kA

Approvals

- All fuse blocks meet the requirements of UL Std. 512
- UL Listed, Guide IZLT, File E52283
- UL Recognized Component Guide IZLT2, File E52283
- CSA Certified Class 6225, File 32169



Recommendes fuse usage

Class R Blocks (250V) use with A2D-R, A2K-R, TR-R

Class R Blocks (600V) use with A6D-R, A6K-R, TRS-R

Class H & K Blocks (250V) use with OT, RF, A2Y types 1 & 3, OTN, CRN, NRN

Class H & K Blocks (600V) use with OTS, RFS, A6Y types 1 & 3, CRS, NRS

Clip & Connector Types

30A & 60A CLIPS		CONNECTORS		CONNECTORS		CONNECTORS		CONNECTORS	
SPRING REINFORCED: CLASS R		NON-SPRING REINFORCED: 30A & 60A BOX		SPRING REINFORCED: 30A & 60A BOX		SPRING REINFORCED: 100A BOX		SPRING REINFORCED: 400A BOX IN-LINE CLIP	
CLASS H & K		30A SCREW		30A SCREW (R)		200A BOX SIDE-CLIP		600A BOX IN-LINE CLIP	
NON-SPRING REINFORCED		30A PRESSURE PLATE		30A PRESSURE PLATE		400A BOX SIDE-CLIP			

Gears & Fuse Gears



American General Purpose Fuses Cylindrical & Blade Fuse Blocks Class H, K & R

CLASS H, K AND R FUSE BLOCKS

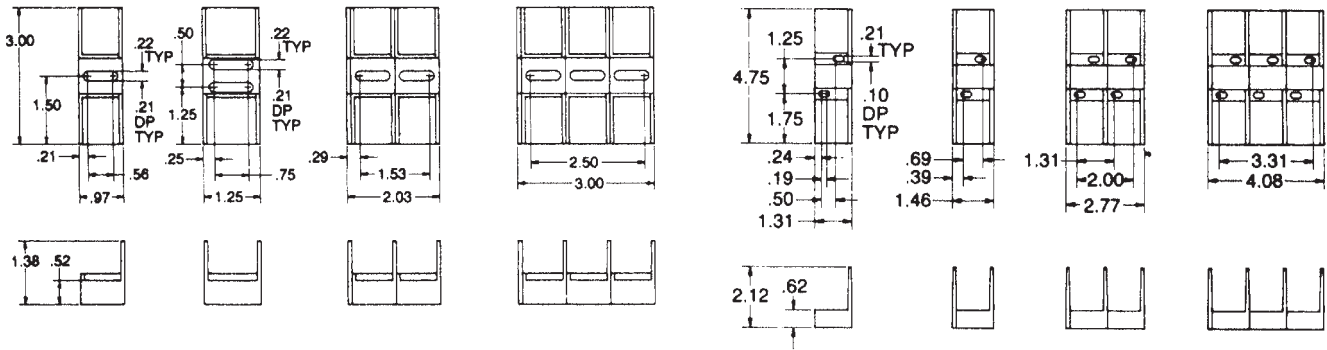


Figure 1

Figure 2

Figure 3

Figure 4

Figure 5

Figure 6

Figure 7

Figure 8

Recommended mounting screws for all 30A and 60A fuse blocks: #10 (.190" dia.)

250 Volt, 30 & 60 Ampere Class H, K and R Fuse Blocks

Amper Rating	Poles	Connector		Catalog Number.			Reference Number			Fig	Connector Torque In - lb
		Type	Wire Range	Class H&K Non-spring reinforced	Class H&K Spring reinforced	Class R Spring reinforced	Class H&K Non-spring reinforced	Class H&K Spring reinforced	Class R Spring reinforced		
30 GFPC INSULATOR	ADDER	BOX	Al/Cu #2-14	20300	20305	20305R	Y223282	E211351	L211863	1	35
				20301*	20306*	20306R*	N201101*	Z212381*	T213411*	2	
				20302	20307	20307R	Z201617	A214429	C214937	3	
				20303	20308	20308R	C204702	F215446	K215956	4	
	ADDER	SCREW	Cu #10-14	20310	20315	20315R	K216462	V218518	P219042	1	20
				20311*	20316*	20316R*	V216977*	E219562*	Z222018*	2	
				20312	20317	20317R	G217494	K222764	Z223283	3	
				20313	20318	20318R	P218007	P201102	A201618	4	
	ADDER	PRESSURE PLATE	Cu #10-14	20320	20325	20325R	L204710	Q230520	A212382	1	20
				20321*	20326*	20326R*	F211352*	V213412*	N213912*	2	
				20322	20327	20327R	M211864	F230511	B214430	3	
				20323	20328	20328R	E230510	D214938	L215957	4	
ADDER	BOX	Cu** #4-14	-	20355	20355R	-	L216463	W216978	1	35	
			-	20356*	20356R*	-	H217495*	Q218008*	2		
			-	20357	20357R	-	W218519	Q219043	3		
			-	20358	20358R	-	F219563	A222019	4		
60 GFPC INSULATOR	ADDER	BOX	Al/Cu #2-14	20600	20605	20605R	L222765	L204756	G211353	5	45
				20601	20606	20606R	A223284	N211865	B212383	6	
				20602	20607	20607R	Q201103	W213413	P213913	7	
				20603	20608	20608R	B201619	C214431	E214939	8	
	ADDER	BOX	Cu** #4-14	-	20655	20655R	-	B223285	R201104	5	45
				-	20656	20656R	-	C201620	M204757	6	
				-	20657	20657R	-	H211354	P211866	7	
				-	20658	20658R	-	C212384	X213414	8	

Note: To convert 30A adder pole to single pole, use end barrier #U09322 (R227508). To convert 60A adder pole to single pole, use end barrier #U09365 (V227511).

* 1-pole, 30A block does not accept adder pole.

**Fuse blocks have copper box connectors and clips and are for copper wires only. These are specifically designed with the same coefficient of expansion as copper wire for improved heat cycling and meet or exceed OEM "no aluminum" specifications.



Gears & Fuse Gears

American General Purpose Fuses Cylindrical & Blade Fuse Blocks Class H, K & R

CLASS H, K AND R FUSE BLOCKS

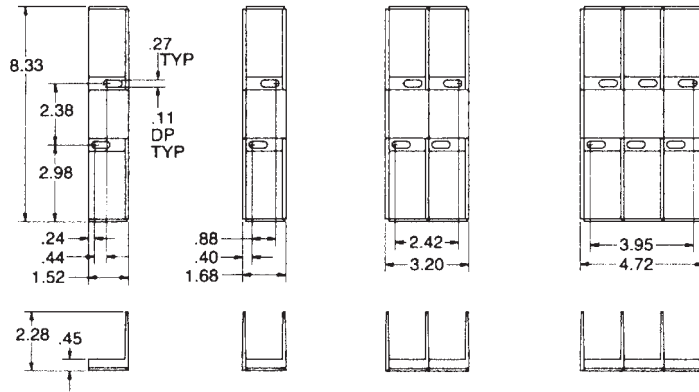


Figure 1

Figure 2

Figure 3

Figure 4

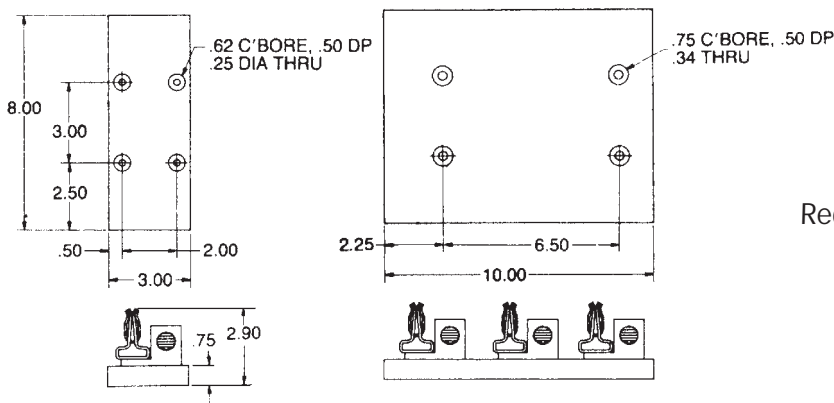


Figure 5

Figure 6

Recommended mounting screws:
 All 100A-1/4" (.250" dia.)
 200A, 1-pole - #10 (.190" dia.)
 200A, 3-pole - 5/16" (.313" dia.)

250 Volt, 100 & 200 Ampere Class H, K and R Fuse Blocks

Amper Rating	Poles	Connector		Catalog Number		Reference Number		Fig.	Connector Torque In - lb
		Type	Wire Range	Class H & K Spring Reinforced	Class R Spring Reinforced	Class H & K Spring Reinforced	Class R Spring Reinforced		
100 GFPC INSULATOR	ADDER	BOX	Al/Cu 2/0-#6	21035	21035R	N222767	C223286	1	120
				21036	21036R	S201105	D201621	2	
				21037	21037R	N204758	J211355	3	
				21038	21038R	Q211867	M212899	4	
	ADDER	BOX	Cu* 2/0-#12	21005	21005R	Q213914	D214432	1	50
				21006	21006R	F214940	H215448	2	
				21007	21007R	M215958	N216465	3	
				21008	21008R	Y216980	J217496	4	
200 PHENOLIC INSULATOR	1	BOX	AL/Cu	22001	22001R	Y213415	R213915	5	375
				22003	22003R	E214433	G214941	6	
	3	SIDE-CLIP	350kcmil-#6	22051	22051R	N230472	K217497	5	275
				22053	22053R	T218011	Y218521	6	

Note: To convert 100A adder pole to single pole, use end barrier #U09363 (T227510).

* Fuse blocks have copper box connectors and clips and are for copper wires only. These are specifically designed with the same coefficient of expansion as copper wire for improved heat cycling and meet or exceed OEM "no aluminum" specifications.

Gears & Fuse Gears



American General Purpose Fuses Cylindrical & Blade Fuse Blocks Class H, K & R

CLASS H, K AND R FUSE BLOCKS

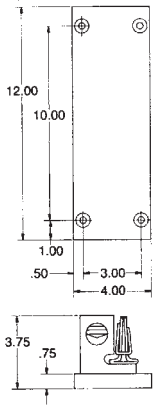


Figure 1

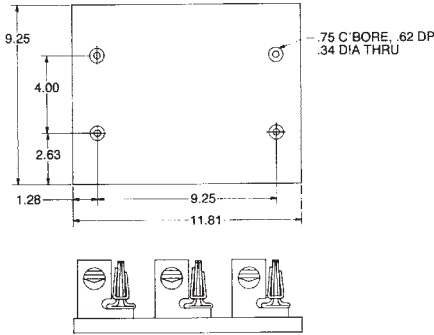


Figure 2

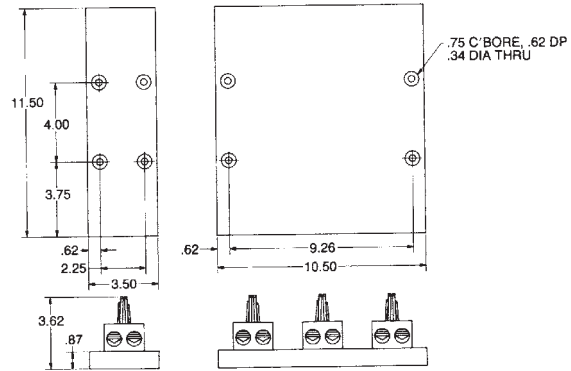


Figure 3

Figure 4

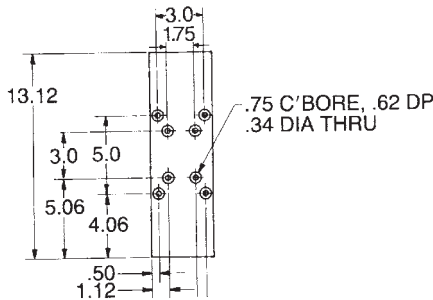


Figure 5

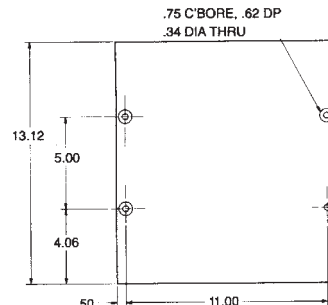


Figure 6

Recommended mounting screws for all 400A and 600A fuse blocks: 5/16 (.313" dia.)

250 Volt, 400 & 600 Ampere Class H, K and R Fuse Blocks

Amper Rating	Poles	Connector		Catalog Number		Reference Number		Fig.	Torque In - lb
		Type	Wire Range	Type of clip	Type of clip	Type of clip	Type of clip		
400 PHENOLIC INSULATOR	1	BOX*	Al/Cu	24001	24001R	T219046	J219566	1	375
	3	SIDE-CLIP	1000 - 250kcmil	24003	24003R	P230473	D222022	2	375
	1	BOX*	Cu**	24051	24051R	P204759	K211356	1	375
	3	SIDE-CLIP	1000 - 250kcmil	24053	24053R	R211868	D212385	2	375
600 PHENOLIC INSULATOR	1	BOX	Al/Cu	24031	24031R	P222768	D223287	3	275
	3	IN-LINE CLIP	(2) 350 kcmil-#4	24033	24033R	T201106	E201622	4	275
	1	BOX	Cu**	24061	24061R	Q230474	N212900	3	275
	3	IN-LINE CLIP	(2) 350 kcmil-#6	24063	24063R	R230475	Z213416	4	275
600 PHENOLIC INSULATOR	1	BOX	Al/Cu	2631	2631R	F214434	H214942	5	500
	3	IN-LINE CLIP	(2) 500 kcmil-#4	2633	2633R	K215450	P215960	6	500
	1	BOX	Cu**	2661	2661R	Q216467	A216982	5	375
	3	IN-LINE CLIP	(2) 500 kcmil-#4	2663	2663R	L217498	V218012	6	375

* Not UL Listed or CSA Certified

** Fuse blocks have copper box connectors and clips and are for copper wires only. These are specifically designed with the same coefficient of expansion as copper wire for improved heat cycling and meet or exceed OEM "no aluminum" specifications.



Gears & Fuse Gears

American General Purpose Fuses Cylindrical & Blade Fuse Blocks Class H, K & R

CLASS H, K AND R FUSE BLOCKS

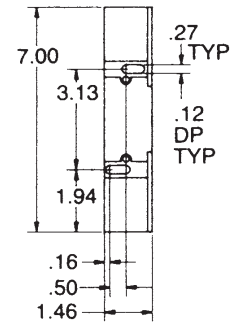


Figure 1

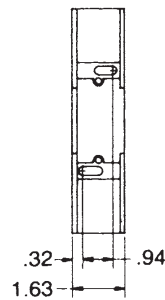


Figure 2

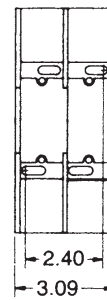


Figure 3

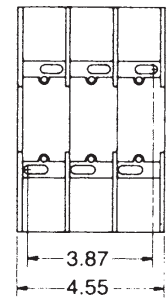
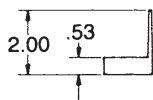


Figure 4



Recommended mounting screws for all 30A and 60A fuse blocks: 1/4" (.250" dia.)

600 Volt, 30 & 60 Ampere Class H, K and R Fuse Blocks

Amper Rating	Poles	Connector		Catalog Number.			Reference Number			Fig	Connector Torque In - lb
		Type	Wire Range	Class H&K Non-spring reinforced	Class H&K Spring reinforced	Class R Spring reinforced	Class H&K Non-spring reinforced	Class H&K Spring reinforced	Class R Spring reinforced		
30 GFPC INSULATOR	ADDER	BOX	Al/Cu #2-14	60300	60305	60305R	C218525	G223290	N211359	1	35
				60301	60306	60306R	Y219050	V211871	H212389	2	
				60302	60307	60307R	N219570	R212903	D213420	3	
	ADDER	SCREW	Cu #10-14	60303	60308	60308R	R222770	X213920	K214438	4	20
				60310	60315	60315R	M214946	Q217502	Z218016	1	
				60311	60316	60316R	P215454	D218526	Z219051	2	
	ADDER	PRESSURE PLATE	Cu #10-14	60312	60317	60317R	T215964	P219571	H222026	3	20
				60313	60318	60318R	V216471	S222771	H223291	4	
				60320	60325	60325R	Y201110	W211872	J212390	1	
	ADDER	BOX	Cu* #4-14	60321	60326	60326R	H201625	S212904	E213421	2	35
				60322	60327	60327R	S204785	Y213921	L214439	3	
				60323	60328	60328R	P211360	N214947	Q215455	4	
60 GFPC INSULATOR	ADDER	BOX	Al/Cu #2-14	60355	60355	60355R	-	V215965	W216472	1	45
				60356	60356	60356R	-	E216986	R217503	2	
				60357	60357	60357R	-	A218017	E218527	3	
	ADDER	BOX	Cu* #4-14	60358	60358	60358R	-	A219052	Q219572	4	45
				60600	60605	60605R	J222027	T204786	Q211361	1	
				60601	60606	60606R	T222772	X211873	K212391	2	
	ADDER	BOX	Al/Cu #2-14	60602	60607	60607R	Z201111	T212905	F213422	3	45
				60603	60608	60608R	J201626	Z213922	M214440	4	
				-	60655	60655R	-	A201112	V204787	1	
ADDER	BOX	Cu* #4-14	-	60656	60656R	-	R211362	Y211874	2	45	
			-	60657	60657R	-	L212392	G213423	3		
			-	60658	60658R	-	A213923	N214441	4		

Note: To convert 30A or 60A adder pole to single pole, use end barrier #U09361 (\$227509).

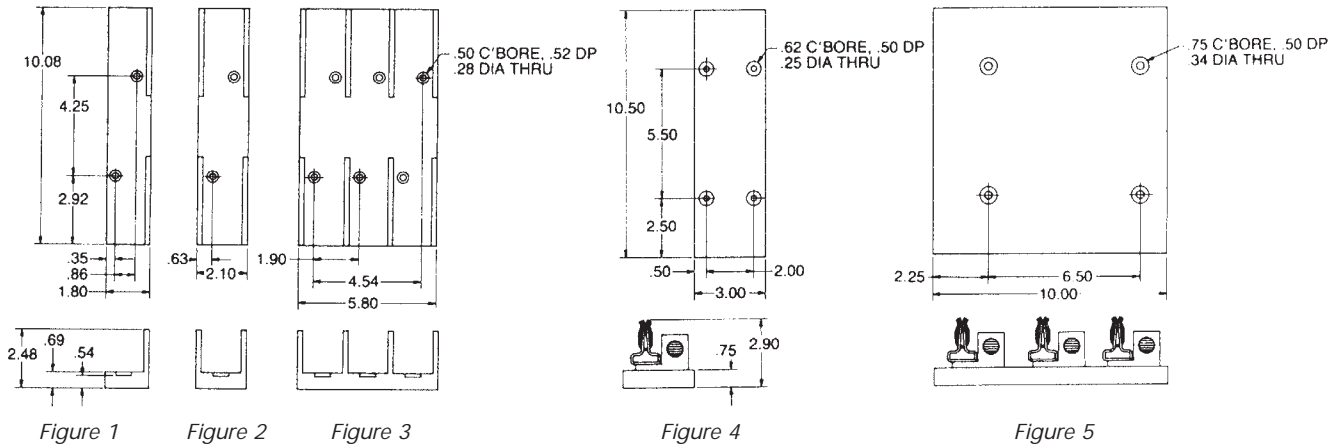
* Fuse blocks have copper box connectors and clips and are for copper wires only. These are specifically designed with the same coefficient of expansion as copper wire for improved heat cycling and meet or exceed OEM "no aluminum" specifications.

Gears & Fuse Gears



American General Purpose Fuses Cylindrical & Blade Fuse Blocks Class H, K & R

CLASS H, K AND R FUSE BLOCKS



Recommended mounting screws:
 All 100A-1/4" (.250" dia.)
 200A, 1-pole - #10 (.190" dia.)
 200A, 3-pole - 5/16" (.313" dia.)

600 Volt, 100 & 200 Ampere Class H, K and R Fuse Blocks

Amper Rating	Poles	Connector		Catalog Number Type of clip		Reference Number Type of clip		Fig.	Torque In - lb
		Type	Wire Range	Class H & K Spring Reinforced	Class R Spring Reinforced	Class H & K Non-spring Reinforced	Class R Spring Reinforced		
100 PHENOLIC INSULATOR	ADDER	BOX	Al/Cu 2/0-#6	61035	61035R	K223293	B201113	1	120
	1			61036	61036R	K201627	W204788	2	
	3			61038	61038R	S211363	Z211875	3	
100 PHENOLIC INSULATOR	ADDER	BOX	Cu* 2/0-#12	61005	61005R	Q214949	S215457	1	50
	1			61006	61006R	X215967	X216473	2	
	3			61008	61008R	G216988	T217505	3	
200 PHENOLIC INSULATOR	1	BOX	Al/Cu	62001	62001R	M212393	V212906	4	375
	3	SIDE-CLIP	350	62003	62003R	H213424	B213924	5	
	1	BOX	Cu* kcmil-#6	62051	62051R	Y216474	H216989	4	275
3	SIDE-CLIP	350 kcmil-#6	62053	62053R	V217506	D218020	5		

Note: Adder poles can only be added to other fuse blocks. There is no end barrier to convert them to single pole fuse blocks.
 * Fuse blocks have copper box connectors and clips and are for copper wires only. These are specifically designed with the same coefficient of expansion as copper wire for improved heat cycling and meet or exceed OEM "no aluminum" specifications.



Gears & Fuse Gears

American General Purpose Fuses Cylindrical & Blade Fuse Blocks Class H, K & R

CLASS H, K AND R FUSE BLOCKS

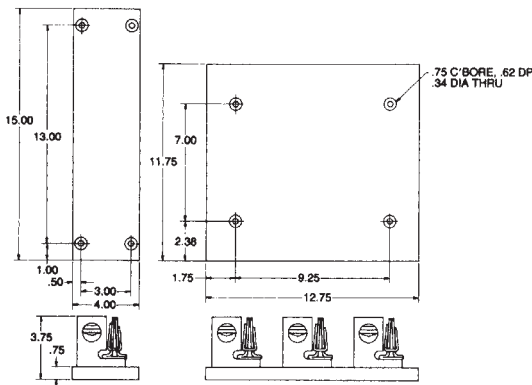


Figure 1

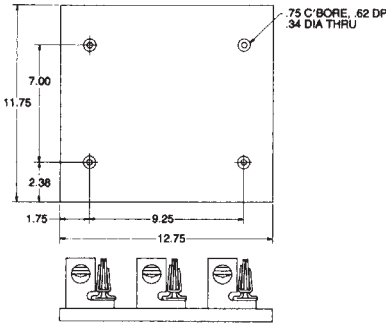


Figure 2

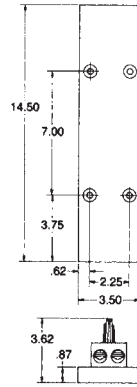


Figure 3

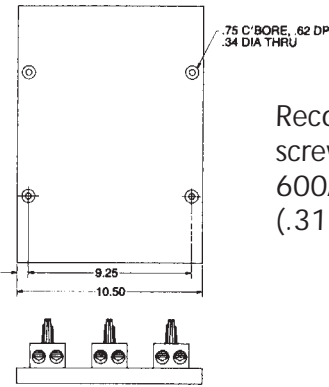


Figure 4

Recommended mounting screws for all 400A and 600A fuse blocks: 5/16 (.313" dia.)

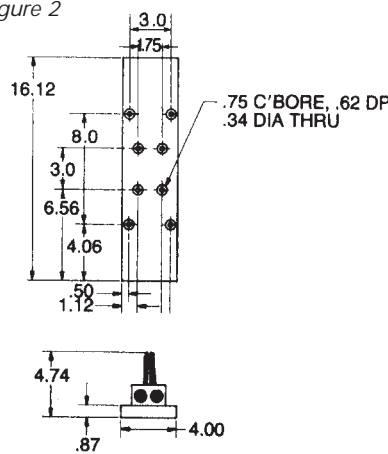


Figure 5

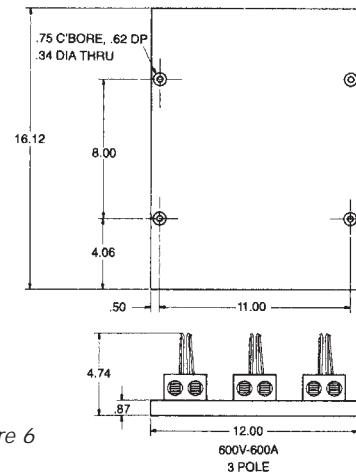


Figure 6

600 Volt, 400 & 600 Ampere Class H, K and R Fuse Blocks

Amper Rating	Poles	Connector		Catalog Number		Reference Number		Fig.	Connector Torque In - lb
		Type	Wire Range	Class H & K Spring Reinforced	Class R Spring Reinforced	Class H & K Spring Reinforced	Class R Spring Reinforced		
400 PHENOLIC INSULATOR	1	BOX*	Al/Cu	64001	64001R	H218530	D219055	1	375
	3	SIDE-CLIP	1000 -250kcmil	64003	64003R	T219575	M222030	2	
	1	BOX*	Cu**	64051	64051R	A211876	N212394	1	375
	3	SIDE-CLIP	1000 -250kcmil	64053	64053R	W212907	J213425	2	
	1	BOX	Al/Cu	64031	64031R	C201114	L201628	3	275
	3	IN-LINE CLIP	(2) 350 kcmil-#4	64033	64033R	H204845	T211364	4	
	1	BOX	Cu**	64061	64061R	C213925	Q214443	3	275
	3	IN-LINE CLIP	(2) 350 kcmil-#6	64063	64063R	S214951	V215459	4	
600 PHENOLIC INSULATOR	1	BOX	Al/Cu	6631	6631R	Z216475	J216990	5	500
	3	IN-LINE CLIP	(2) 500 kcmil-#4	6633	6633R	W217507	E218021	6	
	1	BOX	Cu**	6661	6661R	J218531	E219056	5	375
	3	IN-LINE CLIP	(2) 500 kcmil-#4	6663	6663R	V219576	N222031	6	

* Not UL Listed or CSA Certified

** Fuse blocks have copper box connectors and clips and are for copper wires only. These are specifically designed with the same coefficient of expansion as copper wire for improved heat cycling and meet or exceed OEM "no aluminum" specifications.