

Gears & Fuse Gears



American General Purpose Fuses Cylindrical & Blade Fuse Blocks Clips

for Ferrule fuses / pc board
30A & 60A ferrule - fuse clips

Fuse Clips for 30 & 60 Ampere Ferrule-type Fuses

Cat. Num.	Ref. Num.	Fig.	For Fuse Rating/Size:		Mounting Details	
			Amps (max.)	Ferrule Dia.	Hole Size	Screw Size
CO8915P	R215479	1	30	13/32"	.172" dia.	#8
CO8919P	P217524	2	30	13/32"	.196" dia.	#10
CO8916P	V215988	3	30	9/16"	.172" dia.	#8
CO8917P	R216491	4	30 or 60	13/16"	.22" x .30"	#10
CO8918P	F217010	5	60	1-1/16"	.22" x .30"	#10

All clips are UL Recognized: Guide IZLT2, File E52283
All clips are tin-plated copper alloy, non-spring reinforced.

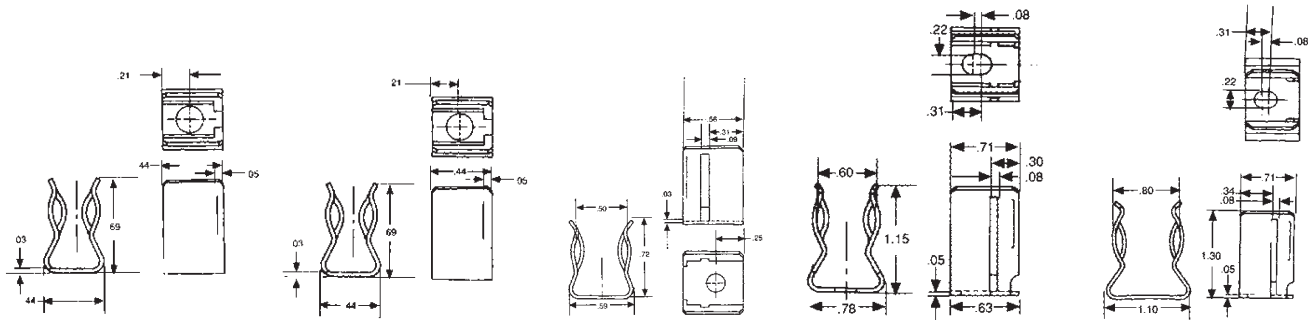


Figure 1

Figure 2

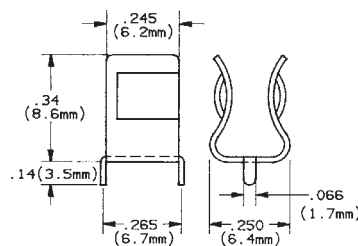
Figure 3

Figure 4

Figure 5

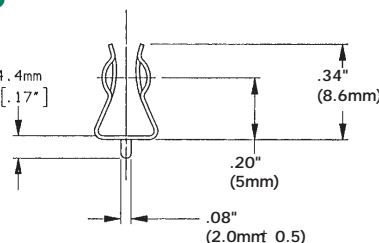
SDC6 - K222051 PC BOARD clips

- PC board mount fuse clip
- For 1/4" diameter fuses
- Tin plated hard brass
- 15A max



SDC5 - R219596 PC BOARD clips

- PC board mount fuse clip
- For 5mm diameter fuses
- Tin plated hard brass
- 10A max



SDC7 - T222795 PC BOARD clips

- PC board mount fuse clip
- For 13/32" (10mm) diameter fuses
- Tin plated spring brass
- 30A max

