



Gears & Fuse Gears

American General Purpose Fuses Cylindrical & Blade Fuse Blocks Class J



CLASS J FUSE BLOCKS

Ferraz Shawmut Class J Fuse Blocks accommodate all Class J fuses. A choice of screw, pressure plate, box and special order stud connectors fit a wide range of stranded or solid copper or aluminum wire. Insulators are either molded glass-filled polycarbonate (GFPC) or phenolic with verified dielectric strength in excess of 2500V. 30 and 60A fuse blocks feature a unique adder block which can be snapped onto 1-, 2- or 3-pole blocks to form multi-pole segmented blocks of as many poles as desired. All fuse clips are made of high conductivity tin-plated copper, with a choice of spring reinforced or non-spring reinforced clips in 30A and 60A. Clips 100A and above are spring reinforced.

Ratings

- 600VAC: 30A, 60A, 100A, 200A, 400A, 600A
- Withstand rating: 200kA

Approvals

- All fuse blocks meet the requirements of UL Std. 512
- UL Listed, Guide IZLT, File E52283
- CSA Certified Class 6225, File 32169



Recommendes fuse usage

Class J Blocks (600V) . . .use with AJT, A4J

Clip & Connector Types

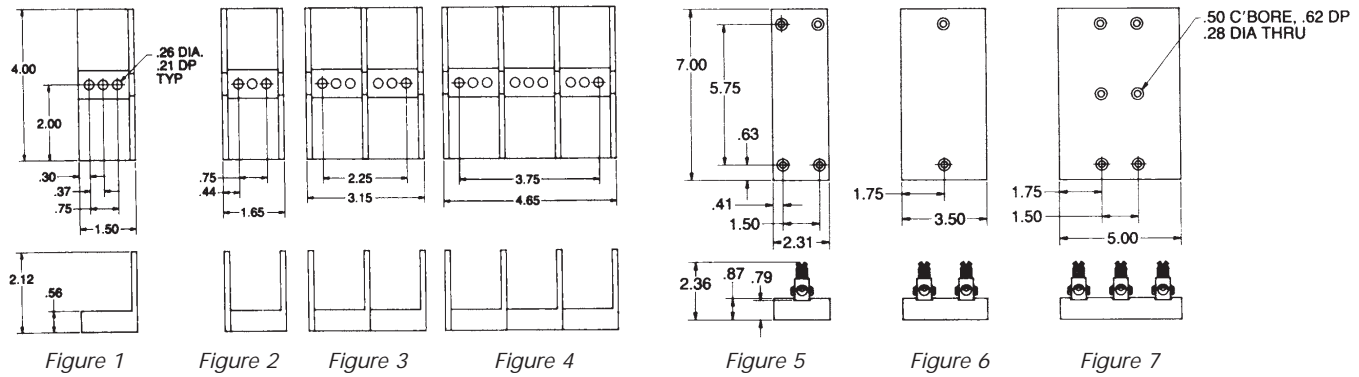
30A & 60A CLIPS		CONNECTORS		CONNECTORS		CONNECTORS		CONNECTORS	
SPRING REINFORCED		NON-SPRING REINFORCED: 30A & 60A BOX		SPRING REINFORCED: 30A & 60A BOX		SPRING REINFORCED: 100A BOX		SPRING REINFORCED: 400A BOX IN-LINE CLIP	
NON-SPRING REINFORCED		30A SCREW		30A SCREW		200A BOX SIDE-CLIP		600A BOX IN-LINE CLIP	
		30A PRESSURE PLATE		30A PRESSURE PLATE		400A BOX SIDE-CLIP			

Gears & Fuse Gears



American General Purpose Fuses Cylindrical & Blade Fuse Blocks Class J

CLASS J FUSE BLOCKS



30A and 100A figures are standard dimension fuse blocks. See also 30 A and 100A space-saving "SJ" Series.

Recommended mounting screws for all 30A, 60A and 100A fuse blocks: 1/4" (.250" dia.)

600 Volt, 30, 60 & 100 Ampere Class J Fuse Blocks

Amper Rating	Poles	Connector		Catalog Number		Reference Number		Fig.	Connector Torque In - lb
				Type of clip		Type of clip			
		Type	Wire Range	Non-spring Reinforced	Spring Reinforced	Non-spring Reinforced	Spring Reinforced		
30 GFPC INSULATOR	ADDER 1 2 3	BOX	Al/Cu #2-14	60300J	60305J	D219584	K204893	1	35
				60301J	60306J	X222039	J211884	2	
				60302J	60307J	T223301	S213433	3	
				60303J	60308J	W201637	A214452	4	
	ADDER 1 2 3	SCREW	Cu #10-14	60310J	60315J	E215468	N218029	1	20
				60311J	60316J	H215977	P219065	2	
				60312J	60317J	T216999	Y222040	3	
				60313J	60318J	E217515	V223302	4	
	ADDER 1 2 3	PRESSURE PLATE	Cu #10-14	60320J	60325J	X201638	Y212403	1	20
				60321J	60326J	N204896	T213434	2	
				60322J	60327J	D211373	B214453	3	
				60323J	60328J	K211885	F215469	4	
ADDER 1 2 3	BOX	Cu* #4-14	-	60355J	-	G216482	1	35	
			-	60356J	-	P218030	2		
			-	60357J	-	Q219066	3		
			-	60358J	-	Z222041	4		
60 GFPC INSULATOR	ADDER 1 2 3	BOX	Al/Cu #2-14	60600J	60605J	W223303	E211374	1	45
				60601J	60606J	M201123	L211886	2	
				60602J	60607J	Y201639	Z212404	3	
				60603J	60608J	R204899	F212916	4	
	ADDER 1 2 3	BOX	Cu* #4-14	-	60655J	-	G215470	1	45
				-	60656J	-	K215979	2	
				-	60657J	-	H216483	3	
				-	60658J	-	W217001	4	
100 PHENOLIC INSULATOR	1 2 3	BOX	Al/Cu 2/0-#6	-	61036J	-	Z201640	5	120
				-	61037J	-	F211375	6	
				-	61038J	-	G212917	7	
	1 2 3	BOX	Cu* 2/0-#12	-	61006J	-	F217516	5	50
				-	61007J	-	Q218031	6	
				-	61008J	-	W218542	7	
				-	-	-	-	-	

Note: To convert 30A or 60A adder pole to single pole, use end barrier #U09617 (X227513).

*Fuse blocks have copper box connectors and clips and are for copper wires only. These are specifically designed with the same coefficient of expansion as copper wire for improved heat cycling and meet or exceed OEM "no aluminum" specifications.



Gears & Fuse Gears

American General Purpose Fuses Cylindrical & Blade Fuse Blocks Class J

CLASS J FUSE BLOCKS

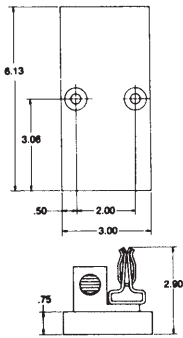


Figure 1

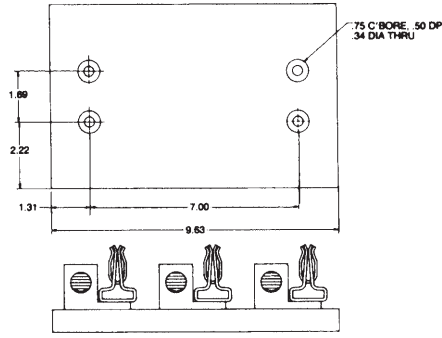


Figure 2

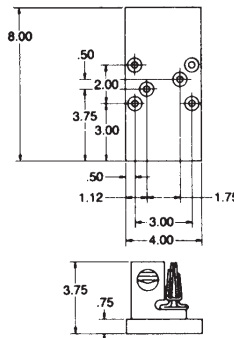


Figure 3

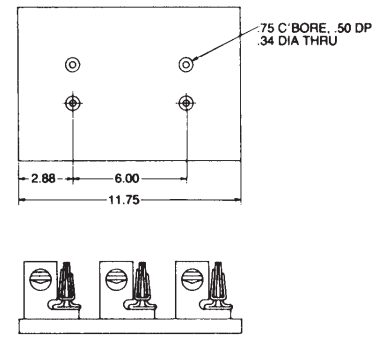


Figure 4

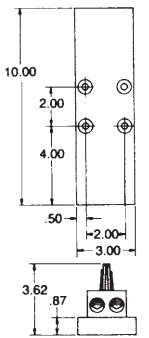


Figure 5

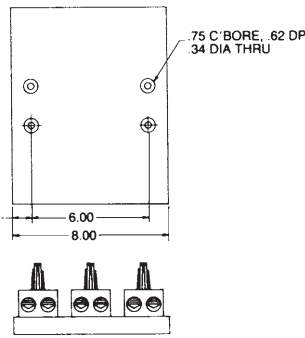


Figure 6

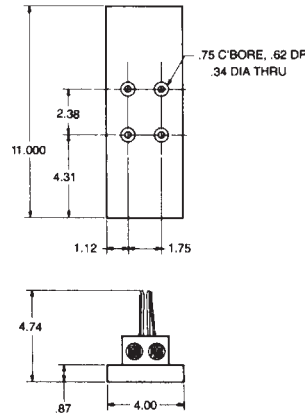


Figure 7

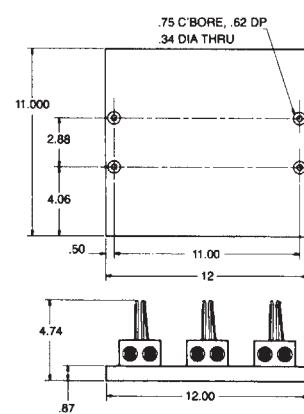


Figure 8

Recommended mounting screws: All 200A, 400A & 600A - 5/16" (.313" dia.)

600 Volt, 200, 400 & 600 Ampere Class J Fuse Blocks

Ampere Rating	Poles	Connector		Catalog Number	Reference Number		Fig.	Connector Torque In - lb
		Type	Wire Range		Spring Reinforced	Spring Reinforced		
200 PHENOLIC INSULATOR	1	BOX	Al/Cu	62001J	D214455	1	375	
	3	SIDE-CLIP	350kcmil-#6	62003J	E214962	2		
	1	BOX	Cu**	62051J	J216484	1	275	
	3	SIDE-CLIP	350kcmil-#6	62053J	X217002	2		
400 PHENOLIC INSULATOR	1	BOX*	Al/Cu	64001J	G217517	3	375	
	3	SIDE-CLIP	1000-250kcmil	64003J	R218032	4		
	1	BOX	Al/Cu	64031J	X218543	5	275	
	3	IN-LINE CLIP	(2) 350kcmil-#4	64033J	S219068	6		
	1	BOX*	Cu**	64051J	G219587	3	375	
	3	SIDE-CLIP	1000-250kcmil	64053J	A222042	4		
600 PHENOLIC INSULATOR	1	BOX	Cu**	64061J	J222786	5	275	
	3	IN-LINE CLIP	(2) 350kcmil-#6	64063J	Y223305	6		
	1	BOX	Al/Cu	6631J	P201125	7	500	
	3	IN-LINE CLIP	(2) 500kcmil-#4	6633J	A201641	8		
600 PHENOLIC INSULATOR	1	BOX	Cu**	6661J	J204984	7	375	
	3	IN-LINE CLIP	(2) 500kcmil-#4	6663J	G211376	8		

* Not UL Listed or CSA Certified

** Fuse blocks have copper box connectors and clips and are for copper wires only. These are specifically designed with the same coefficient of expansion as copper wire for improved heat cycling and meet or exceed OEM "no aluminum" specifications.